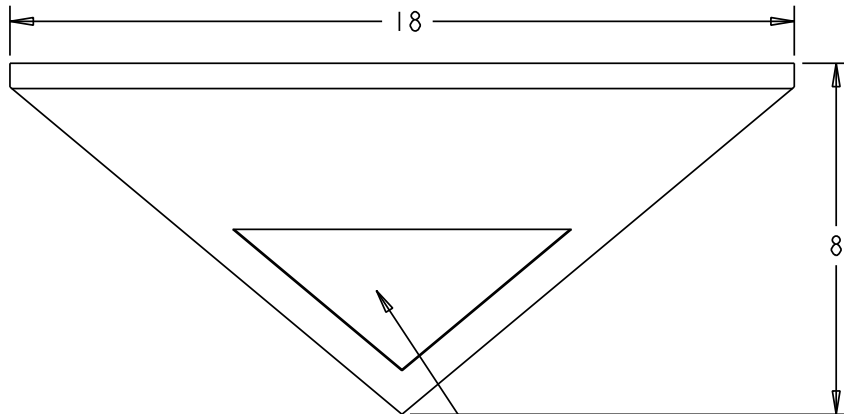
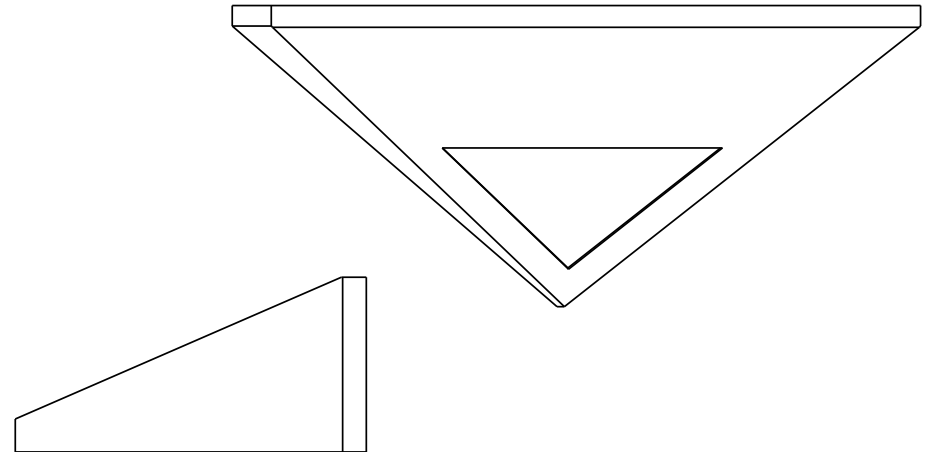
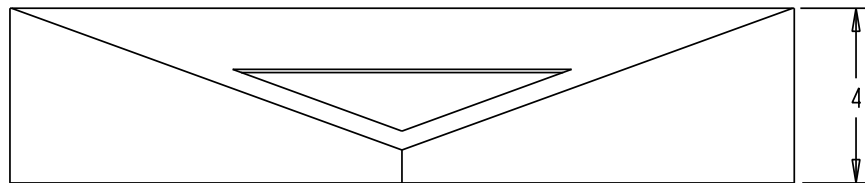


REV	ECO	DESCRIPTION	DATE	BY
-----	-----	-------------	------	----



.125" FROSTED WHITE ACRYLIC

SPECIFICATIONS:

- 1) FIXTURE MANUFACTURED OF CODE GAUGE MATERIAL
- 2) DECORATIVE FASCIA FINISH TO BE DETERMINED
- 3) LAMP TYPE (1) 27W LONG TWIN TUBE (BASE 2G11)
- 4) LAMPS FURNISHED AND INSTALLED BY OTHERS.
- 5) FIXTURE BEARS ETL DRY FLUORESCENT FIXTURE LABEL.
- 6) UL/CSA LISTED INTEGRAL ELECTRONIC BALLAST,

DESIGNED BY D. YAEGER	DATE 8/8/6	INDESSA LIGHTING		
<small>NOT FOR REPRODUCTION This document contains proprietary information that is property of INDESSA LIGHTING. This document must be returned promptly if no longer needed or upon written request from INDESSA LIGHTING.</small>		TITLE P10298-1BX27-COLOR		
		DRAWING # 10298	SHEET SIZE B	REV A
		PROJECT	SHEET 1 OF 1	SCALE