

366 Magnum

Project: _____

Location: _____

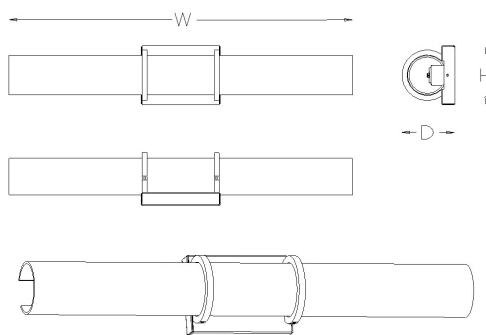
Catalog Number	MODEL	LENGTH	SOURCE/WATTS	FINISH	LENS	OPTION(S)
Example: 366-15LED12-BRZ-30K	366	-	-	-	-	-



This versatile fixture can be mounted both vertically or horizontally to provide maximum flexibility in your design. With a variety of lumen packages available, this fixture can provide a soft subtle glow for accent lighting or a more intense light for vanity applications.

Features:

- Solid aluminum frame with decorative accents
- Brushed aluminum or powder coated finishes available
- Offered in a wide variety of lumen packages
- Secondary lens reduces fixture end glare
- Standard 0-10V dimming driver
- Suitable for dry or damp locations
- Meets all ADA requirements
- Manufactured in the USA



Dimensions		
Width	Height	Depth
4.5"	13"	4"
4.5"	24"	4"

Ordering Information/Options

Length	Source/watts		Finishes		Options		
13	LED10	1676 Lumens	MVOLT	WHT	White	30K	3000 Kelvin Temperature
	LED12	2012 Lumens		BLK	Black	35K	3500 Kelvin Temperature
	LED16	2682 Lumens		SAL	Silver	40K	4000 Kelvin Temperature
24	LED10	1700 Lumens	MVOLT	BRZ	Bronze	DL	Damp Label
	LED16	2800 Lumens		BA	Brushed Aluminum		
	LED20	3356 Lumens					

Indessa
Lighting

PHONE: 509.924.0243 FAX: 509.924.2607 www.indessa.com

Indessa Lighting reserves the right to make design revisions without prior notice.

