

LED

595 PINNACLE



Large, yet dramatic, this fixture can be used as the outdoor focal point. Dramatically enhancing the Architecture, the Pinnacle can be incorporated into a variety of architecture. The customization of the face can bring the designers personal touch into the building.

595 PINNACLE

LED

TYPE



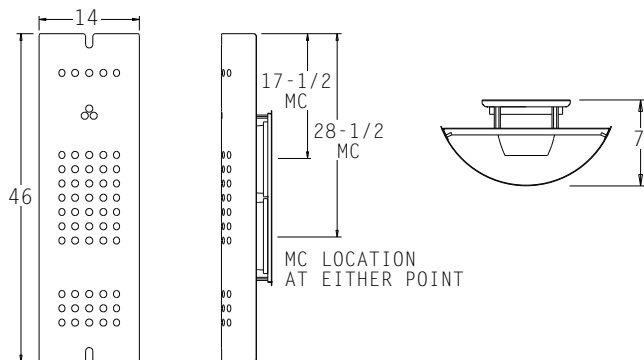
PROJECT: _____

LOCATION: _____

FEATURES

- Large-scale outdoor fixture makes a statement and dramatically enhances the building façade.
- Flexibility of the design allows the designer to modify the window configuration.
- Lamp positioning provides uniform illumination completely around the fixture.
- Enclosed and gasketed electrical unit provides years of trouble free operation.
- Standard 0-10V dimming driver.
- Meets all ADA requirements.
- Wet location listed.
- Manufactured in the U.S.A.

DIMENSIONS



MC = Mounting Center
A 4" octagonal junction box should be used for installation.

ORDERING INFORMATION / OPTIONS

EXAMPLE: 595-4CFQ18-BRZ

595

MODEL

595 - Pinnacle

LAMP

- 2LED9 – (2) 9W LED Module (2200 Lumens)
- 2LED14 – (2) 14W LED Module (3100 Lumens)
- 2LED19 – (2) 19W LED Module (4000 Lumens)
- 2CFQ13 – (2) 13w QUAD TUBE CF (G24Q-1 Base)
- 2CFQ18 – (2) 18w QUAD TUBE CF (G24Q-2 Base)
- 2CFQ26 – (2) 26w QUAD TUBE CF (G24Q-3 Base)

Consult factory for other available lamps and LED Wattages.

FINISH

- WHT – White
 - BLK – Black
 - SAL – Silver
 - BRZ – Bronze
- Consult factory for other finishes.*

OPTIONS

- MODWIN – Modified windows
- TP – Tamperproof nuts
- 30K – 3000 Kelvin Temperature
- 35K – 3500 Kelvin Temperature
- 40K – 4000 Kelvin Temperature