

LED

574
SOFTGLOW



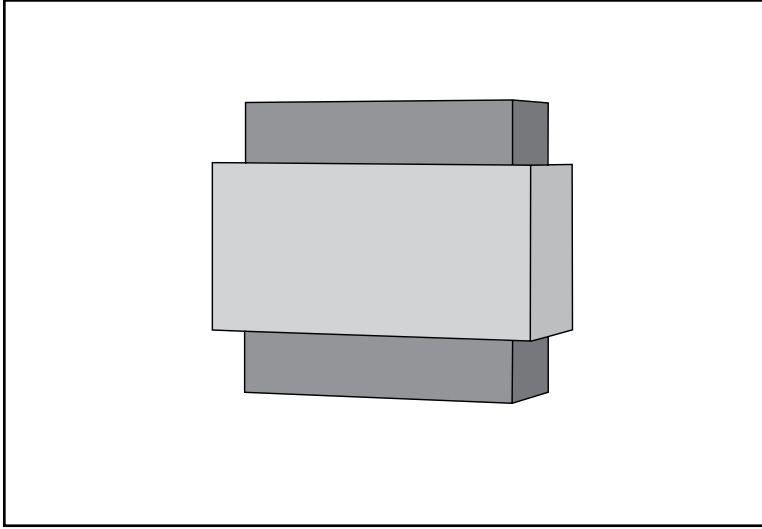
A soft glow around the center band of the luminaire provides drama to this rectangular shaped luminaire. Additionally, the center band allows the fixture to be two tone painted, significantly adding to its daylight character.

Indessa
LIGHTING

574 SOFTGLOW

LED

TYPE



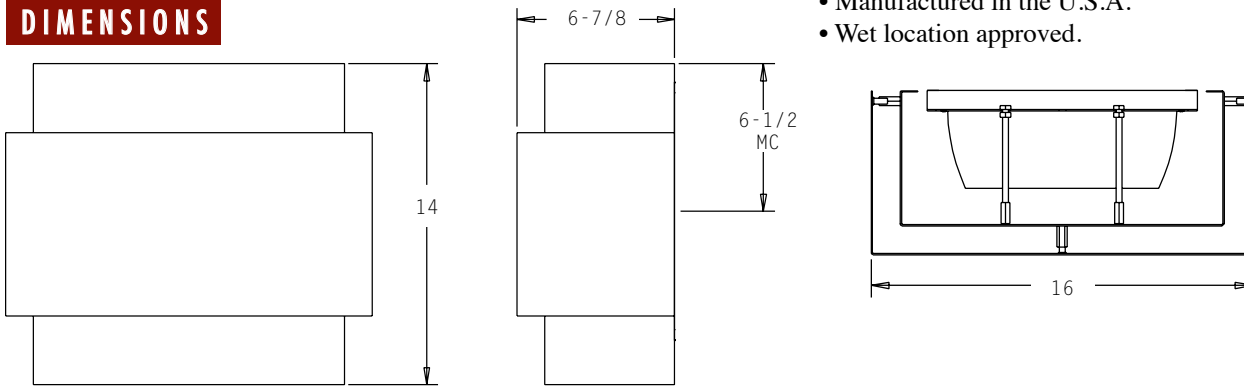
PROJECT: _____

LOCATION: _____

FEATURES

- An ideal fixture for retail light marking and building highlighting.
- Design provides a soft glow around the center band of the fixture.
- Open top and bottom increases efficiency for higher light levels.
- Design allows for two tone paint finishes.
- Fully enclosed and gasketed electrical compartment.
- Approved and listed for wet locations.
- No visible fasteners.
- Standard 0-10V dimming driver.
- Manufactured in the U.S.A.
- Wet location approved.

DIMENSIONS



MC = Mounting Center
A 4" octagonal junction box should be used for installation.

ORDERING INFORMATION / OPTIONS EXAMPLE: 574-1LED19-WHT

574

MODEL

574 - Softglow

HOUSING FINISH

WHT - White
BLK - Black
SAL - Silver
BRZ - Bronze

Consult factory for other finishes.

To specify a different color for the center band, spell out the band color then the back of the fascia. Example: for a black housing with a silver band, specify SAL-Band/BLK-Housing.

OPTIONS

TP - Tamperproof Nuts
30K - 3000 Kelvin Temperature
35K - 3500 Kelvin Temperature
40K - 4000 Kelvin Temperature

LAMP

1LED9 - (1) 9W LED Module (1100 Lumens)
1LED14 - (1) 14W LED Module (1550 Lumens)
1LED19 - (1) 19W LED Module (2000 Lumens)
1LED23 - (1) 23W LED Module (2350 Lumens) (Triac / ELV Dimming)
Consult factory for other available lamps and LED Wattages.