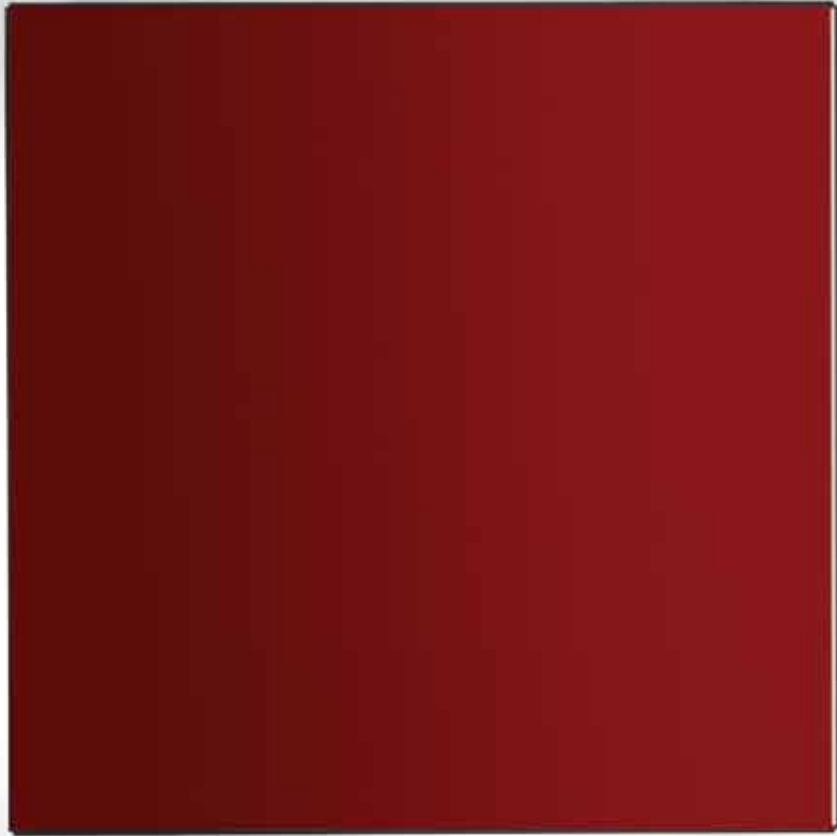


LED

531 WET LOCATION SQUARE

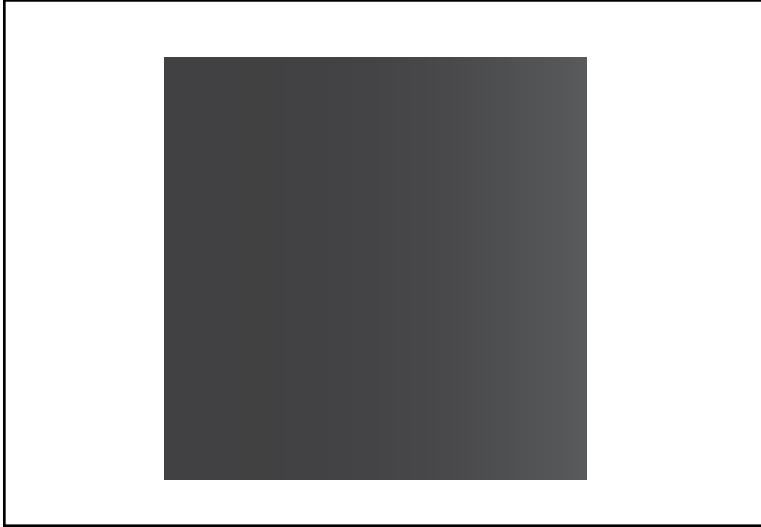


This enclosed and gasketed fixture provides a distinct accent to the building design. Constructed of metal and available with an assortment of lamps, the fixture is ideal for highlighting large walls.

531 WET LOCATION SQUARE

TYPE

LED



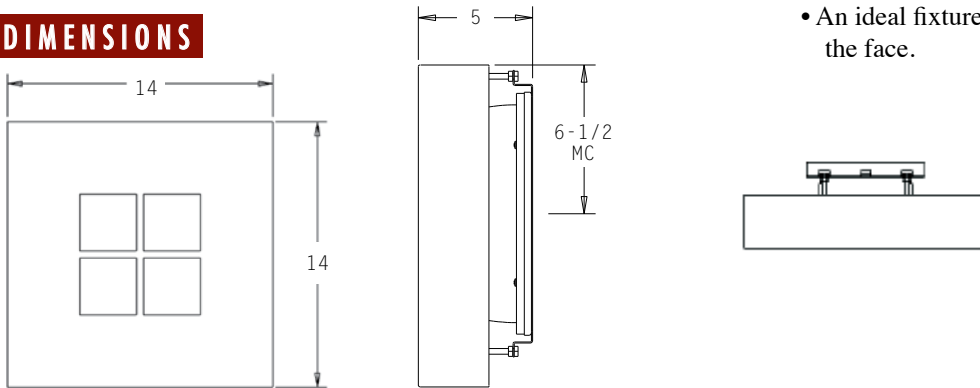
PROJECT: _____

LOCATION: _____

FEATURES

- Wall enhancing fixture is ideal for all types of buildings.
- Fully enclosed and gasketed fixture.
- Approved and listed for wet locations.
- Standard 0-10V dimming driver.
- All parts are treated with a five stage phosphate bonding process before being finished with a long lasting powder coat finish.
- Easy installation and replacement of lamps.
- Lens backed windows available.
- No visible fasteners.
- Manufactured in the U.S.A.
- An ideal fixture for laser cutting logos and signage into the face.

DIMENSIONS



MC = Mounting Center

A 4" octagonal junction box should be used for installation.

ORDERING INFORMATION / OPTIONS EXAMPLE: 531-2CFQ13-BLK

531

MODEL

531 - Wet Location Square

HOUSING FINISH

WHT - White
BLK - Black
SAL - Silver
BRZ - Bronze
Consult factory for other finishes.

OPTIONS

TP - Tamperproof Nuts
Windows - 4 white acrylic backed windows
LBlue - Blue Lens
LGreen - Green Lens
LRed - Red Lens
MOD 18 - 18"x18" fixture
30K - 3000 Kelvin Temperature
35K - 3500 Kelvin Temperature
40K - 4000 Kelvin Temperature

LAMP

1LED9 - (1) 9W LED Module (1100 Lumens)
1LED14 - (1) 14W LED Module (1550 Lumens)
1LED19 - (1) 19W LED Module (2000 Lumens)
1LED23 - (1) 23W LED Module (2350 Lumens) (Triac / ELV Dimming)
2CFQ13 - (2) 13w QUAD TUBE CF (G24Q-1 Base)
2CFQ18 - (2) 18w QUAD TUBE CF (G24Q-2 Base)
2CFQ26 - (2) 26w QUAD TUBE CF (G24Q-3 Base)

Consult factory for other available lamps and LED Wattages.

Indessa
LIGHTING

PHONE: 509.924.0243 • FAX: 509.924.2607 • www.indessa.com

Indessa Lighting reserves the right to make design revisions without prior notice.

