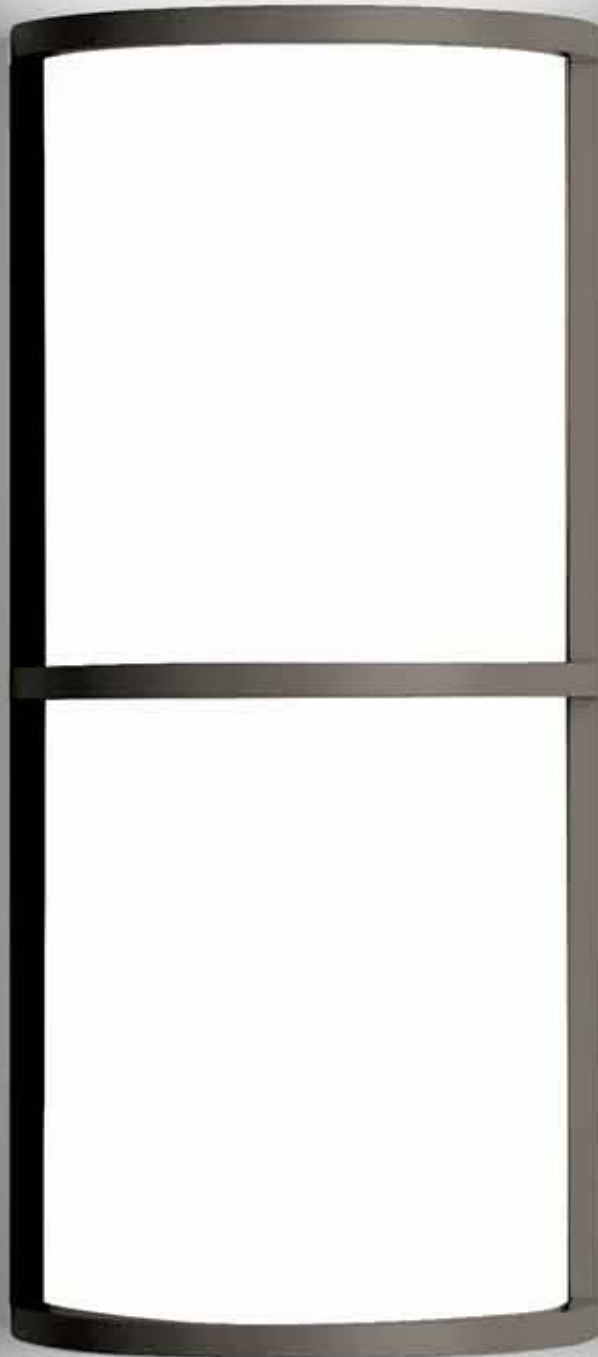


LED

505
SUPER SIZE
CLASSIC



This popular wall sconce is a timeless classic. Constructed of solid bar stock this product is available with a number of bar options. This larger fixture is an ideal luminaire for building entrances and outdoor walkways.

Indessa
LIGHTING

505 SUPER SIZE CLASSIC

TYPE

LED



Indoor companion fixture available. See product 409.

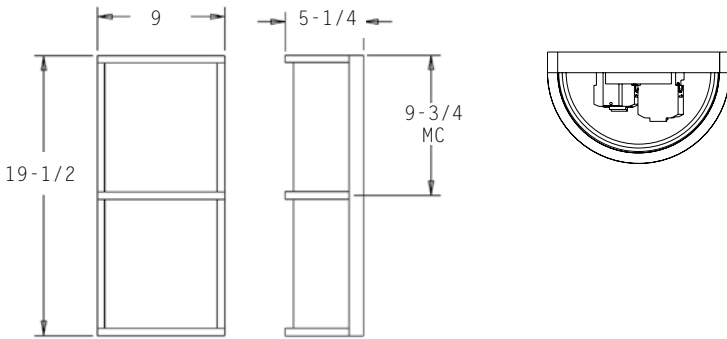
PROJECT: _____

LOCATION: _____

FEATURES

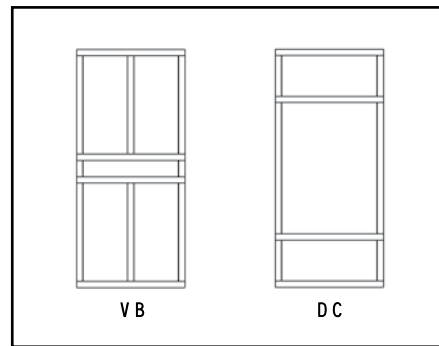
- Larger size is ideal for larger scale walls.
- A timeless classic design for any application.
- Solid bar stock for maximum strength and rigidity.
- Listed and approved for wet locations.
- Standard 0-10V dimming driver.
- All parts are treated with a five stage phosphate bonding process before being finished with a long lasting powder coat finish.
- No visible fasteners.
- Manufactured in the USA.
- Available with integral emergency ballast.

DIMENSIONS



MC = Mounting Center

A 4" octagonal junction box should be used for installation.



ORDERING INFORMATION / OPTIONS EXAMPLE: 505-1LED19-SAL-VB

505

MODEL

505 - Super Size Classic

LAMP

- 1LED9** - (1) 9W LED MODULE. 1100 Lumens
- 1LED14** - (1) 14W LED MODULE. 1550 Lumens
- 1LED19** - (1) 19W LED MODULE. 2000 Lumens
- 2CFQ13** - (2) 13w QUAD TUBE CF (G24Q-1 Base)
- 2CFQ18** - (2) 18w QUAD TUBE CF (G24Q-2 Base)
- 2CFQ26** - (2) 26w QUAD TUBE CF (G24Q-3 Base)

Consult factory for other available lamps and LED Wattages.

HOUSING FINISH

- WHT** - White
 - BLK** - Black
 - SAL** - Silver
 - BRZ** - Bronze
 - BA** - Brushed Aluminum
- Consult factory for other finishes.

OPTIONS

- VB** - Vertical Bar Housing
- DC** - Double Cross Bar
- BL** - Bottom Lens
- TC** - Top Aluminum Cover
- BC** - Bottom Aluminum Cover
- 30K** - 3000 Kelvin Temperature
- 35K** - 3500 Kelvin Temperature
- 40K** - 4000 Kelvin Temperature
- IEM** - Integral Emergency Driver (BC option cannot be used in conjunction with IEM)