

LED

**503
SENTRY**



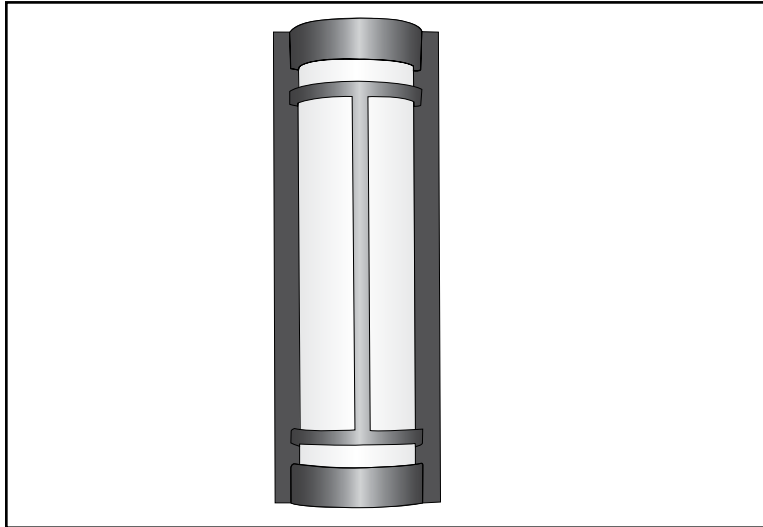
Constructed of solid aluminum bars this unique design makes a strong design statement. Whether used on brick or on smooth surfaces the fixture will dramatically enhance the aesthetics of the building.

Indessa
LIGHTING

503 SENTRY

LED

TYPE



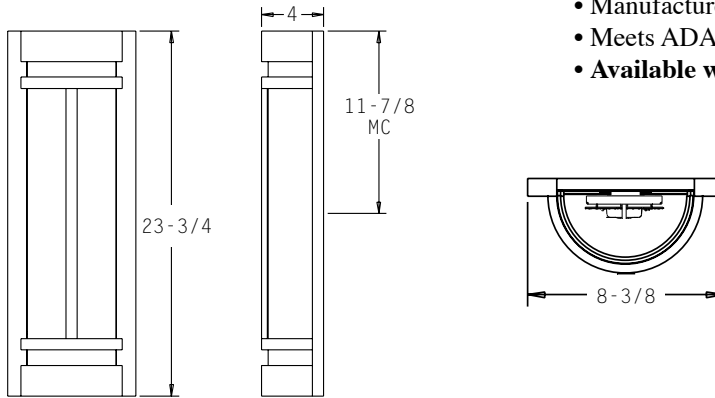
PROJECT: _____

LOCATION: _____

FEATURES

- Solid aluminum bar stock makes for an extremely rigid fixture.
- The integration of 2", 1 1/4" and 3/4" bars blends in seamlessly for a very unique look.
- Standard 0-10V dimming driver.
- All parts treated with a five stage phosphate bonding process before being treated with a long lasting powder coat finish.
- Ability to lengthen fixture and add or subtract bars.
- Listed and approved for wet locations.
- No visible fasteners.
- Manufactured in the U.S.A.
- Meets ADA requirements.
- **Available with integral emergency ballast.**

DIMENSIONS



MC = Mounting Center
A 4" octagonal junction box should be used for installation.

ORDERING INFORMATION / OPTIONS EXAMPLE: 503-2LED14-BLK

503

MODEL
503 - Sentry

LAMP

1LED19 - (1) 19W LED MODULE. 2000 Lumens
2LED14 - (2) 14W LED MODULES. 3100 Lumens
2LED17 - (2) 19W LED MODULES. 4000 Lumens
2F27 - (2) 24/27W Long Twin Tube CF (2G11 Base)
Consult factory for other available lamps and LED Wattages.

HOUSING FINISH

WHT - White
BLK - Black
SAL - Silver
BRZ - Bronze
BA - Brushed Aluminum
Consult factory for other finishes.

OPTIONS

BL - Bottom Lens
TC - Top Aluminum Cover
BC - Bottom Aluminum Cover
DRY - Indoor Version
30K - 3000 Kelvin Temperature
35K - 3500 Kelvin Temperature
40K - 4000 Kelvin Temperature
IEM - Integral Emergency Driver
 (BC option cannot be used in conjunction with IEM)