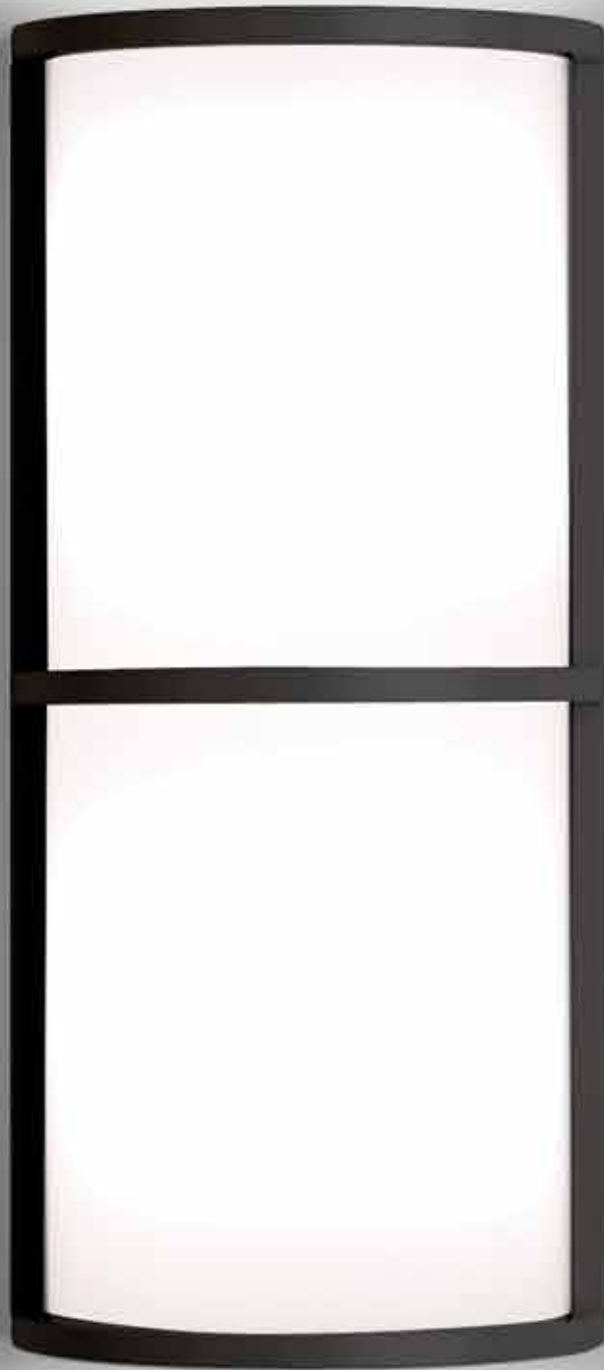


LED

501
WET LOCATION
CLASSIC



Indessa
LIGHTING

501 WET LOCATION CLASSIC

TYPE

LED



Contact your local sales rep for other available sizes/bar configurations.

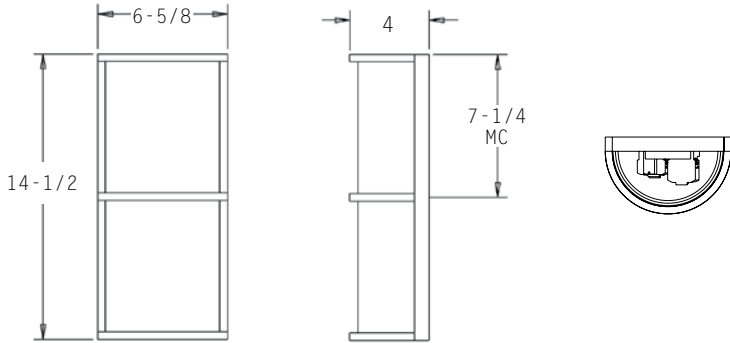
PROJECT: _____

LOCATION: _____

FEATURES

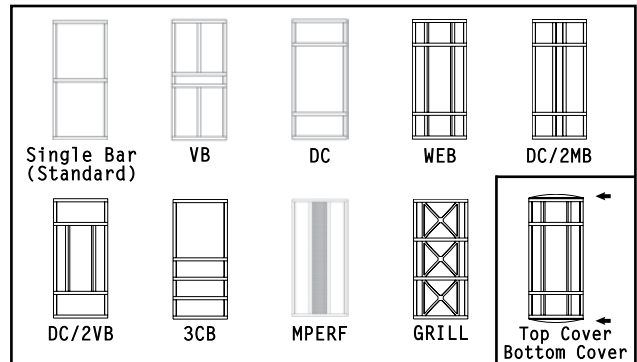
- A timeless design for a classic look.
- Cage constructed of solid aluminum bar stock for strength and rigidity.
- Available with a wide variety of bar configurations.
- Standard 0-10V dimming driver.
- All parts are treated with a five stage phosphate bonding process before being finished with a long lasting powder coat finish.
- Acrylic lens for maximum lens uniformity.
- Complies with ADA.
- No visible fasteners.
- Manufactured in the U.S.A.
- **Available in longer lengths consult factory.**

DIMENSIONS



MC = Mounting Center

A 4" octagonal junction box should be used for installation.



ORDERING INFORMATION / OPTIONS EXAMPLE: 501-1LED19-SAL-VB

501

MODEL

501 - Classic

LAMP

- 1LED9** - (1) 9W LED MODULE. 1100 Lumens
 - 1LED14** - (1) 14W LED MODULE. 1550 Lumens
 - 1LED19** - (1) 19W LED MODULE. 2000 Lumens
 - 2CFQ13** - (2) 13w QUAD TUBE CF (G24Q-1 Base)
 - 2CFQ18** - (2) 18w QUAD TUBE CF (G24Q-2 Base)
 - 2CFQ26** - (2) 26w QUAD TUBE CF (G24Q-3 Base)
- Consult factory for other available lamps and LED Wattages.

HOUSING FINISH

- WHT** - White
- BLK** - Black
- SAL** - Silver
- BRZ** - Bronze
- BA** - Brushed Aluminum

Consult factory for other finishes.

BAR CONFIGURATION

- Blank** - Standard Single Bar
- VB** - Vertical Bar
- DC** - Double Cross Bar
- DC/2VB** - Double Cross Bar w/2 Vertical Bars
- DC/2MB** - Double Cross Bar w/2 Middle Bars
- 3CB** - 3 Lower Cross Bars
- WEB** - Double Cross Bar w/2 Full Vertical Bars
- MPERF** - Vertical Perf Panel in the Center of the Fixture
- GRILL** - Decorative Aluminum Grill

Consult factory for other available configurations.

OPTIONS

- BL** - Bottom Lens
- TC** - Top Die Cast Aluminum Cover (Adds 1/2" to height)
- BC** - Bottom Die Cast Aluminum Cover (Adds 1/2" to height)
- Faux** - Faux Alabaster Lens
- 30K** - 3000 Kelvin Temperature
- 35K** - 3500 Kelvin Temperature
- 40K** - 4000 Kelvin Temperature
- IEM** - Integral Emergency Driver (BC option cannot be used in conjunction with IEM)

Indessa
LIGHTING

PHONE: 509.924.0243 • FAX: 509.924.2607 • www.indessa.com

Indessa Lighting reserves the right to make design revisions without prior notice.

