

**LED**

**459  
MAXUM**



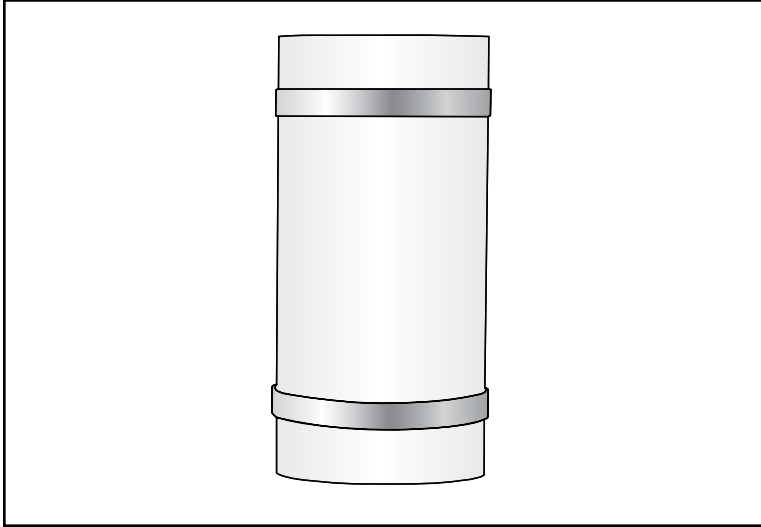
An ideal luminaire for Hotels, Apartments and Assisted Living centers, this luminaire provides a generous amount of general illumination and is designed for restricted budgets.

**Indessa**  
LIGHTING

# 459 MAXUM

**LED**

TYPE



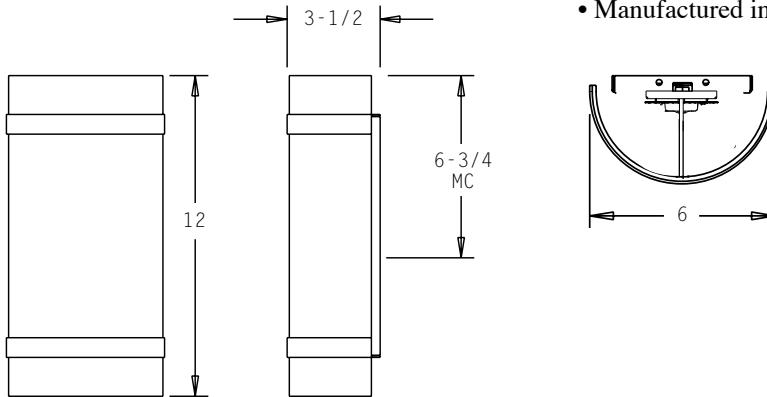
PROJECT: \_\_\_\_\_

LOCATION: \_\_\_\_\_

## FEATURES

- A general illumination luminaire that is ideal for Hotels, Apartments and Assisted Living Centers.
- Acrylic lens provides a strong shielding method that is resistant to vandalism and decay.
- A simplistic design allows this product to be used in restrictive budget scenarios while providing a stylish and practical source of illumination.
- Electronic ballast and compact fluorescent lamp provide years of maintenance free operation.
- Standard 0-10V dimming driver.
- Meets all ADA requirements.
- Manufactured in the U.S.A.

## DIMENSIONS



MC = Mounting Center

A 4" octagonal junction box should be used for installation.

## ORDERING INFORMATION / OPTIONS EXAMPLE: 459-1LED14-WHT

# 459

### MODEL

459 - Maxum

### LAMP

**1LED9** - (1) 9W LED Module. 1100 Lumens

**1LED14** - (1) 14W LED Module. 1550 Lumens

**1LED19** - (1) 19W LED Module. 2000 Lumens

Consult factory for other available lamps and LED Wattages.

### HOUSING FINISH

**WHT** - White

**BLK** - Black

**SAL** - Silver

**BRZ** - Bronze

Consult factory for other finishes.

### OPTIONS

**DL** - Damp Label

**30K** - 3000 Kelvin Temperature

**35K** - 3500 Kelvin Temperature

**40K** - 4000 Kelvin Temperature