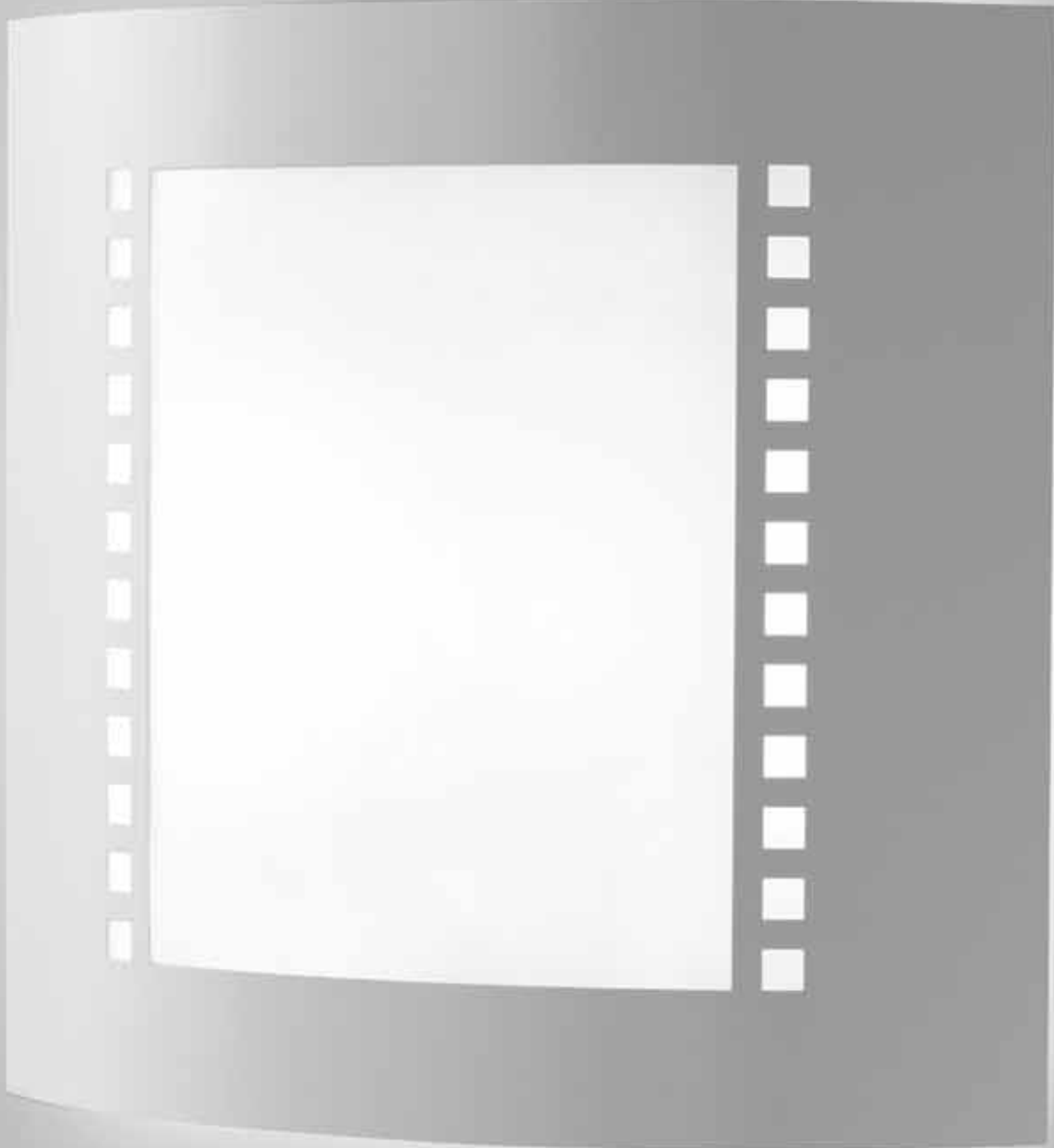


LED

# 428 WINDOWS

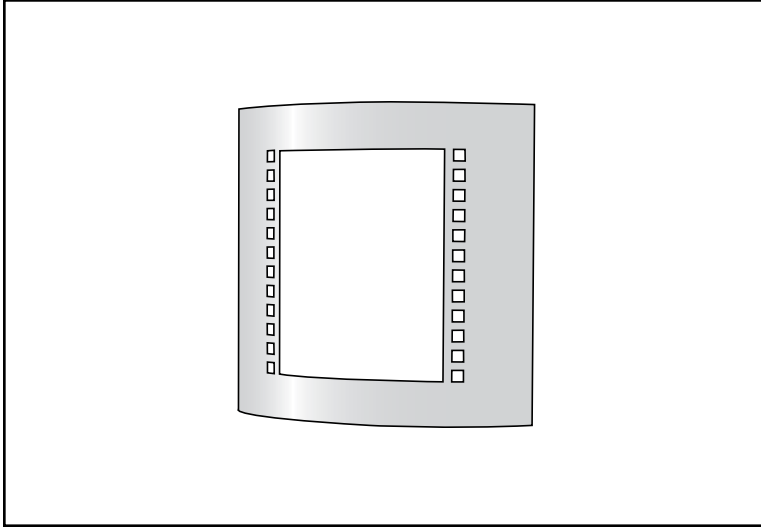


Windows is an intriguing luminaire that provides a visual statement. Its flexibility provides the customer with the ability to match aesthetics with other types of luminaires or architectural pieces.

# 428 WINDOWS

**LED**

TYPE



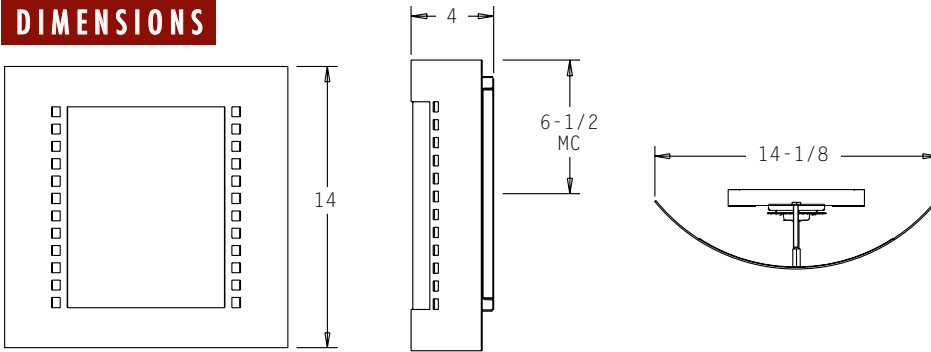
PROJECT: \_\_\_\_\_

LOCATION: \_\_\_\_\_

## FEATURES

- A soft elegant look for general applications.
- Double lens system obscures any lamp image.
- The large window with surrounding small windows provides a distinctive appearance.
- Design allows for the use of different project - specific type of cutouts and windows on the front of the fascia.
- Standard 0-10V dimming driver.
- Meets all ADA requirements.
- Manufactured in the U.S.A.
- **Available without small windows.**

## DIMENSIONS



MC = Mounting Center

A 4" octagonal junction box should be used for installation.

## ORDERING INFORMATION / OPTIONS EXAMPLE: 428-2CFQ26-WHT

# 428

### MODEL

428 - Windows

### LAMP

- 1LED9** - (1) 9W LED MODULE. 1100 Lumens
- 1LED14** - (1) 14W LED MODULE. 1550 Lumens
- 1LED19** - (1) 19W LED MODULE. 2000 Lumens
- 2CFQ13** - (2) 13w QUAD TUBE CF (G24Q-1 Base)
- 2CFQ18** - (2) 18w QUAD TUBE CF (G24Q-2 Base)
- 2CFQ26** - (2) 26w QUAD TUBE CF (G24Q-3 Base)

Consult factory for other available lamps and LED Wattages.

### HOUSING FINISH

- WHT** - White
  - BLK** - Black
  - SAL** - Silver
  - BRZ** - Bronze
- Consult factory for other finishes.

### OPTIONS

- BL** - Bottom Lens
- DL** - Damp Label
- TL** - Top Lens
- 1WIN** - One Window Only
- IEM** - Integral Emergency Ballast
- 30K** - 3000 Kelvin Temperature
- 35K** - 3500 Kelvin Temperature
- 40K** - 4000 Kelvin Temperature