

**LED**

# 427 APEX



Fun, creative, decorative! The Apex can enhance a fun and interesting environment. The designer can coordinate the theme of their environment with the face of the light fixture with laser cut out images.

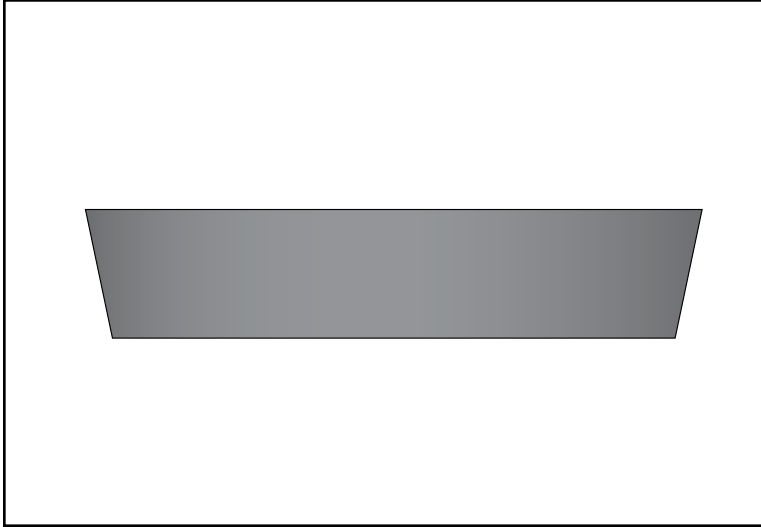
# 427 APEX

**LED**

TYPE

PROJECT: \_\_\_\_\_

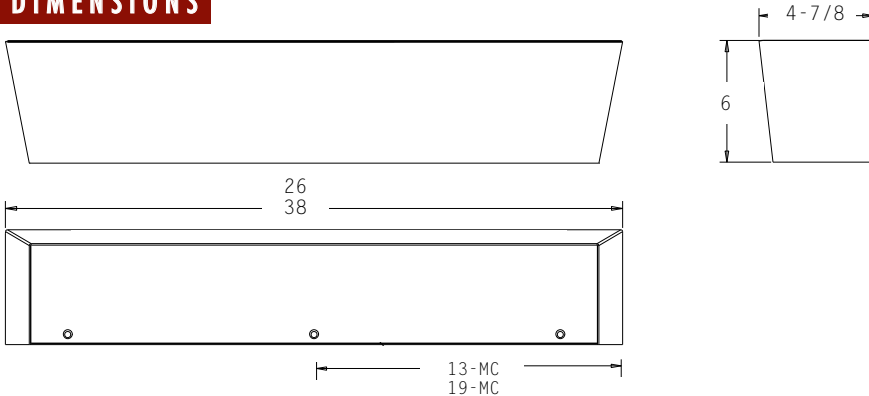
LOCATION: \_\_\_\_\_



## FEATURES

- Versatile up/down luminaire available in a horizontal mount orientation. Ideal for vanities and stairwells.
- Simple design makes the unit extremely efficient.
- Bottom lens standard. Top open for maximum efficiency.
- Ability to create laser cut images into the metal front fascia
- Available in a wide variety of LED lumen packages.
- Standard 0-10V dimming driver.
- Manufactured in the USA.

## DIMENSIONS



MC = Mounting Center

A 4" octagonal junction box should be used for installation.

## ORDERING INFORMATION / OPTIONS EXAMPLE: 427-2LED9-WHT-DL-TL

# 427

**MODEL**  
427 - Apex

## LAMP

**24" Version**  
**2LED9** – 18w LED 2200 Lumens  
**2LED14** – 28w LED 3100 Lumens  
**1F17** – (1) 17w T8 Lamp  
**2F17** – (2) 17w T8 Lamps  
**2F14** – (2) 14w T5 Lamps

## HOUSING FINISH

**WHT** - White  
**BLK** - Black  
**SAL** - Silver  
**BRZ** - Bronze  
*Consult factory for other finishes.*

**36" Version**  
**2LED9** – 18w LED 2200 Lumens  
**2LED14** – 28w LED 3100 Lumens  
**1F25** – (1) 25w T8 Lamp  
**2F25** – (2) 25w T8 Lamps  
**2F21** – (2) 21w T5 Lamps

## OPTIONS

**DL** -Damp Label  
**TL** -Top Lens  
**IMAGE** -Custom images provided by customer  
**30K** - 3000 Kelvin Temperature  
**35K** - 3500 Kelvin Temperature  
**40K** - 4000 Kelvin Temperature  
**IEM** - Integral Emergency Driver

## LENGTH

24"-24"  
 36"-36"