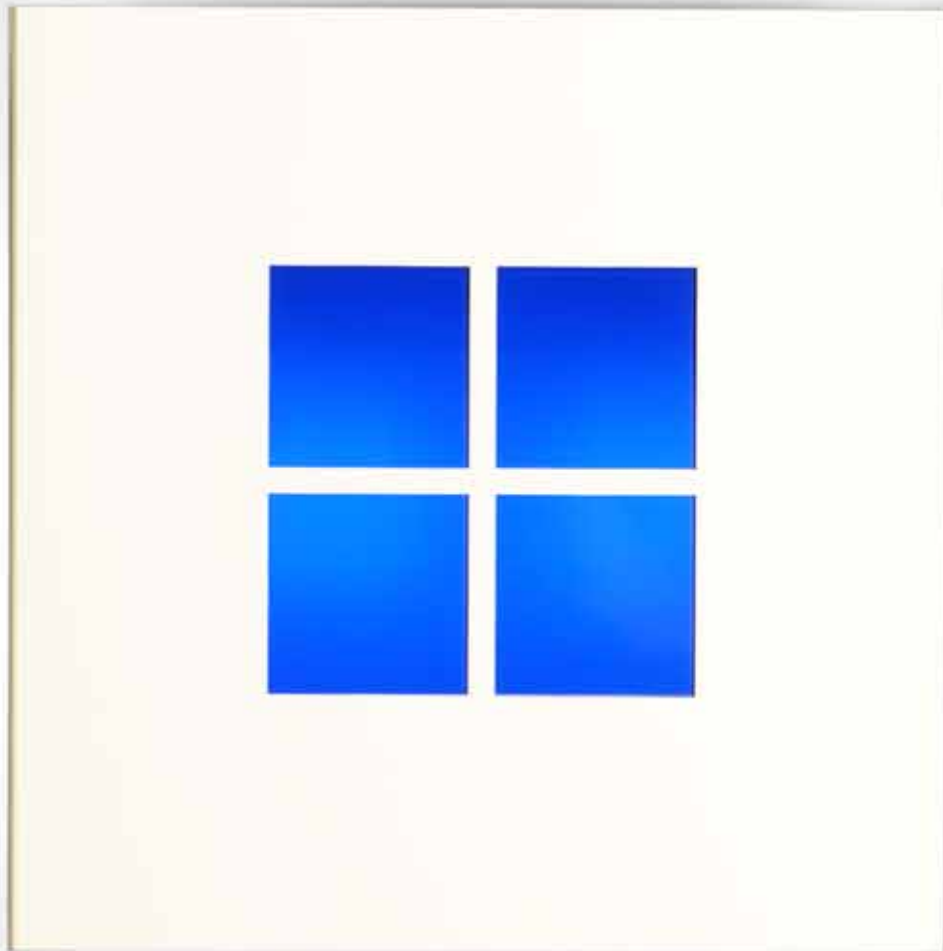


LED

425 WINDOW BOX



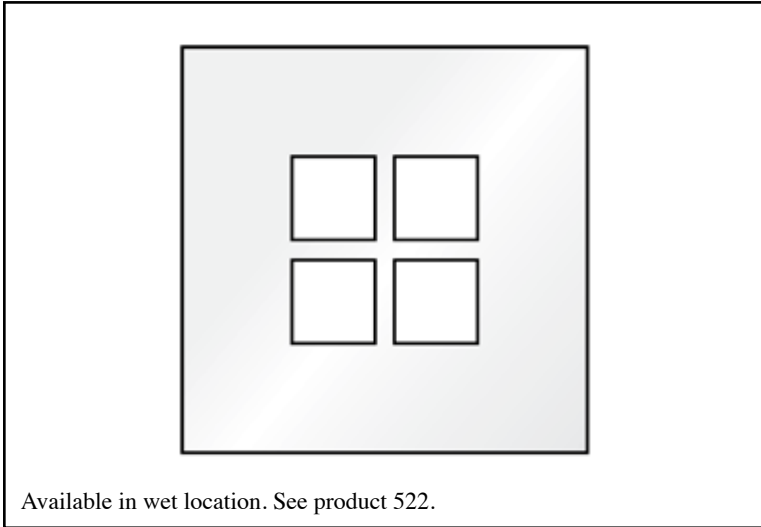
The window box is a decorative box which distributes light both up and down with a maximum amount of efficiency. Decorative windows are protected with frosted white acrylic which is mechanically attached to the fixture.

Indessa
LIGHTING

425 WINDOW BOX

TYPE

LED



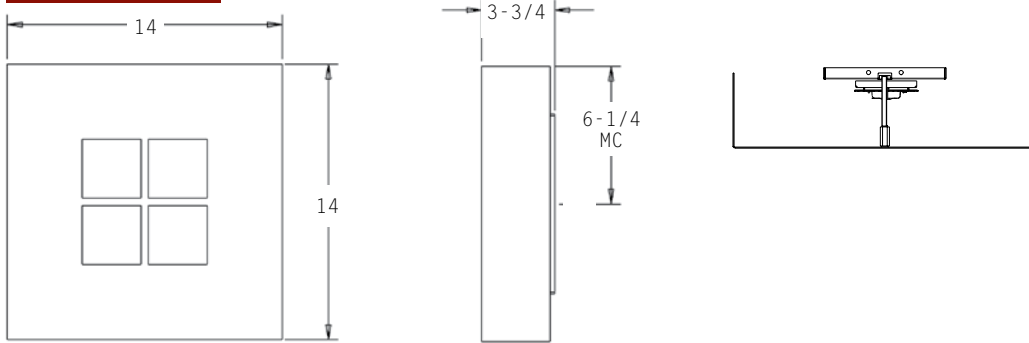
PROJECT: _____

LOCATION: _____

FEATURES

- Classical box sconce for general applications.
- All acrylic is mechanically attached for a trouble free long life.
- Standard 0-10V dimming driver.
- All parts are treated with a five stage phosphate bonding process before being finished with a long lasting powder coat finish.
- Complies with ADA.
- No visible fasteners.
- Manufactured in the U.S.A.

DIMENSIONS



MC = Mounting Center
A 4" octagonal junction box should be used for installation.

ORDERING INFORMATION / OPTIONS EXAMPLE: 425-1LED14-WHT

425

MODEL

425 - Window Box

LAMP

- 1LED9** – (1) 9W LED MODULE. 1100 Lumens
 - 1LED14** – (1) 14W LED MODULE. 1550 Lumens
 - 1LED19** – (1) 19W LED MODULE. 2000 Lumens
- Consult factory for other available lamps and LED Wattages.

HOUSING FINISH

- WHT** - White
 - BLK** - Black
 - SAL** - Silver
 - BRZ** - Bronze
- Consult factory for other finishes.

OPTIONS

- DL** - Damp Label
- LBlue** - Blue Lens
- LGreen** - Green Lens
- LRed** - Red Lens
- TL** - Top Lens
- BL** - Bottom Lens
- 30K** - 3000 Kelvin Temperature
- 35K** - 3500 Kelvin Temperature
- 40K** - 4000 Kelvin Temperature