

LED

422  
SCOOP



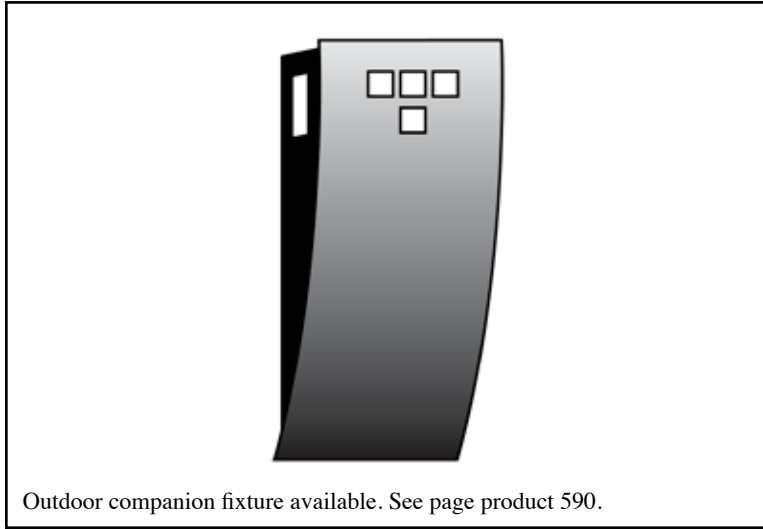
This modern looking fixture is sleek and stylish. Welded construction and gasketing ensure precise fit and finish. Decorative windows add flare to the fixture.

**Indessa**  
LIGHTING

# 422 SCOOP

**LED**

TYPE



Outdoor companion fixture available. See page product 590.

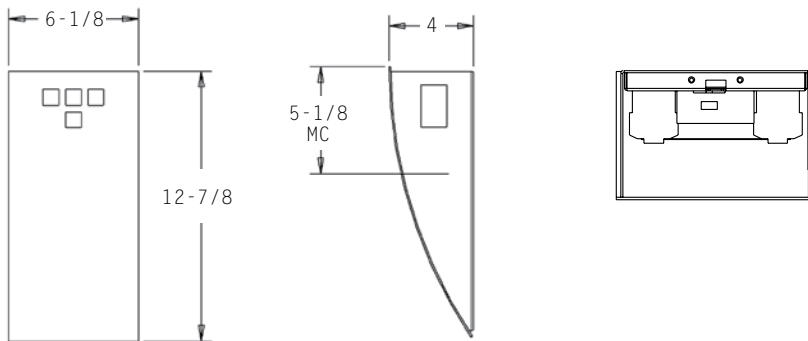
PROJECT: \_\_\_\_\_

LOCATION: \_\_\_\_\_

## FEATURES

- An ideal luminaire for the modern office.
- A modern, aerodynamic luminaire.
- Housing parts are welded for optimal strength.
- Window pattern provides a visual source of the illumination.
- Electronic, multi-volt (120/277) ballast is standard.
- All parts are treated with a five stage phosphate bonding process before being finished with a long lasting powder coat finish.
- Complies with ADA.
- **Variations in window configuration are available.**
- Standard Triac / ELV dimming driver. 0-10V not available.
- No visible fasteners.
- Manufactured in the U.S.A.

## DIMENSIONS



MC = Mounting Center  
A 4" octagonal junction box should be used for installation.

## ORDERING INFORMATION / OPTIONS EXAMPLE: 422-1LED10-BLK

# 422

### MODEL

422 - Scoop

### LAMP

- 1LED8** - (1) 8w LED MODULE. 1000 Lumens
  - 1CFQ13** - (1) 13w QUAD TUBE CF (G24Q-1 Base)
  - 1CFQ18** - (1) 18w QUAD TUBE CF (G24Q-2 Base)
  - 1CFQ26** - (1) 26w QUAD TUBE CF (G24Q-3 Base)
  - 1CFT32** - (1) 32w TRIPLE TUBE CF (GX24Q-3 Base)
  - 1CFT42** - (1) 42w TRIPLE TUBE CF (GX24Q-3 Base)
  - 2CFQ13** - (2) 13w QUAD TUBE CF (G24Q-1 Base)
  - 2CFQ18** - (2) 18w QUAD TUBE CF (G24Q-2 Base)
  - 2CFQ26** - (2) 26w QUAD TUBE CF (G24Q-3 Base)
- Consult factory for other available lamps and LED Wattages.

### HOUSING FINISH

- WHT** - White
  - BLK** - Black
  - SAL** - Silver
  - BRZ** - Bronze
- Consult factory for other finishes.

### OPTIONS

- DL** - Damp Label
- 30K** - 3000 Kelvin Temperature
- 35K** - 3500 Kelvin Temperature
- 40K** - 4000 Kelvin Temperature