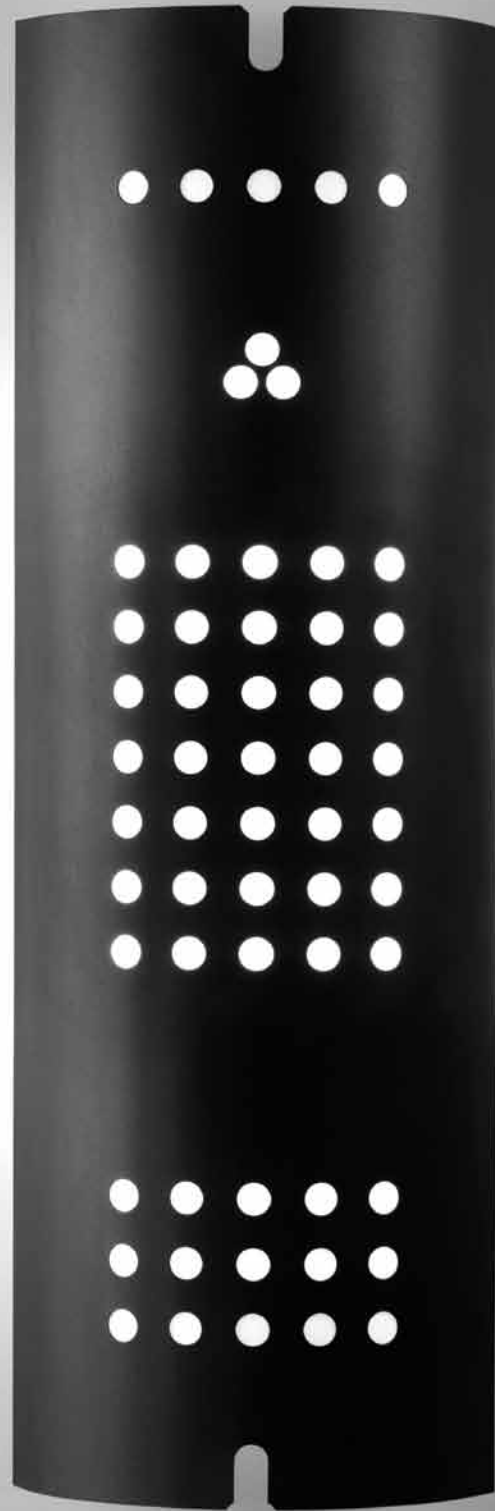


Available in LED

595 PINNACLE

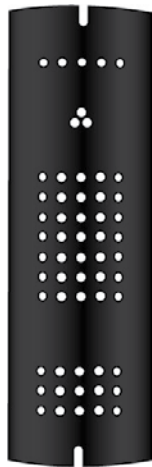


Large, yet dramatic, this fixture can be used as the outdoor focal point. Dramatically enhancing the Architecture, the Pinnacle can be incorporated into a variety of architecture. The customization of the face can bring the designers personal touch into the building.

595 PINNACLE

Available in LED

TYPE



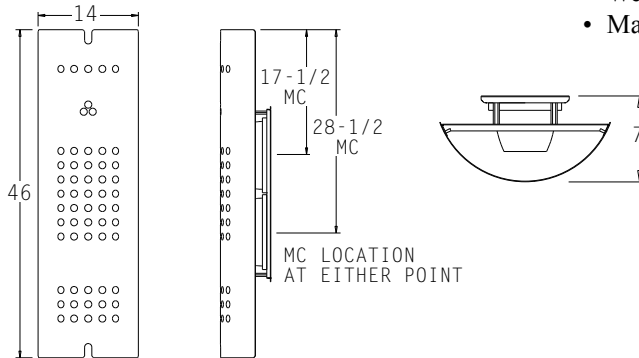
PROJECT: _____

LOCATION: _____

FEATURES

- Large-scale outdoor fixture makes a statement and dramatically enhances the building façade.
- Flexibility of the design allows the designer to modify the window configuration.
- Available with up to 4-26W Quad Tube Compact Fluorescent Lamps.
- Lamp positioning provides uniform illumination completely around the fixture.
- Enclosed and gasketed electrical unit provides years of trouble free operation.
- Electronic multi-volt (120 to 277V) ballast is standard.
- Meets all ADA requirements.
- Wet location listed.
- Manufactured in the U.S.A.

DIMENSIONS



MC = Mounting Center

A 4" octagonal junction box should be used for installation.

ORDERING INFORMATION / OPTIONS

EXAMPLE: 595-4CFQ18-BRZ

595

MODEL

595 - Pinnacle

LAMP

2CFQ13 – (2) 13w QUAD TUBE CF (G24Q-1 Base)
2CFQ18 – (2) 18w QUAD TUBE CF (G24Q-2 Base)
2CFQ26 – (2) 26w QUAD TUBE CF (G24Q-3 Base)
2CFT32 – (2) 32w TRIPLE TUBE CF (GX24Q-3 Base)
2CFT42 – (2) 42w TRIPLE TUBE CF (GX24Q-3 Base)
4CFQ13 – (4) 13w QUAD TUBE CF (G24Q-1 Base)
4CFQ18 – (4) 18w QUAD TUBE CF (G24Q-2 Base)
4CFQ26 – (4) 26w QUAD TUBE CF (G24Q-3 Base)
4CFT26 – (4) 26w TRIPLE TUBE CF (GX24Q-3 Base)
4CFT32 – (4) 32w TRIPLE TUBE CF (GX24Q-3 Base)
4CFT42 – (4) 42w TRIPLE TUBE CF (GX24Q-3 Base)
2LED11 – (2) 11w LED MODULES. 1560 Lumens
2LED13 – (2) 13w LED MODULES. 1960 Lumens
Consult factory for other available lamps and LED Wattages.

FINISH

WHT – White
BLK – Black
SAL – Silver
BRZ – Bronze
Consult factory for other finishes.

OPTIONS

MODWIN – Modified windows
TP – Tamperproof nuts
IEM – Integral Emergency Ballast
 (extends fixture out 1 1/4") (CF Only)

Indessa
LIGHTING

PHONE: 509.924.0243 • FAX: 509.924.2607 • www.indessa.com

Indessa Lighting reserves the right to make design revisions without prior notice.

