

Available in LED

# 590 WET LOCATION SCOOP

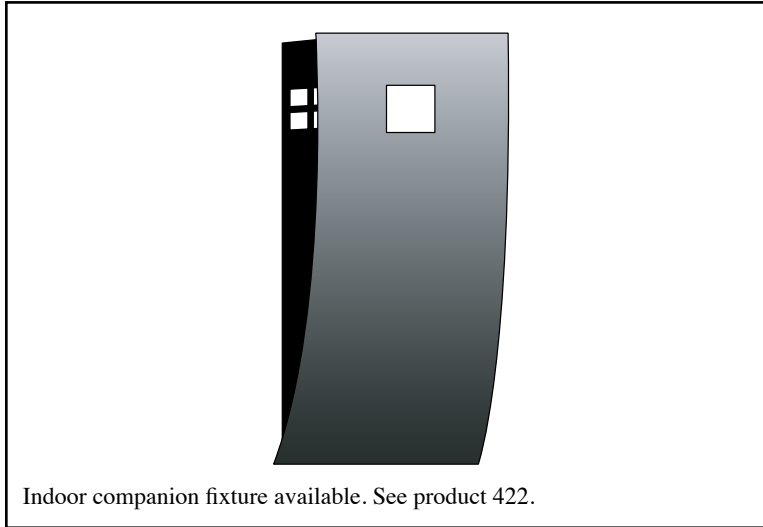


Sleek and stylish the Wet Location Scoop is an excellent highlighter for daytime as well as nighttime environments. Decorative windows add flare to the fixture which can be mounted pointing up or down.

# 590 WET LOCATION SCOOP

Available in LED

TYPE



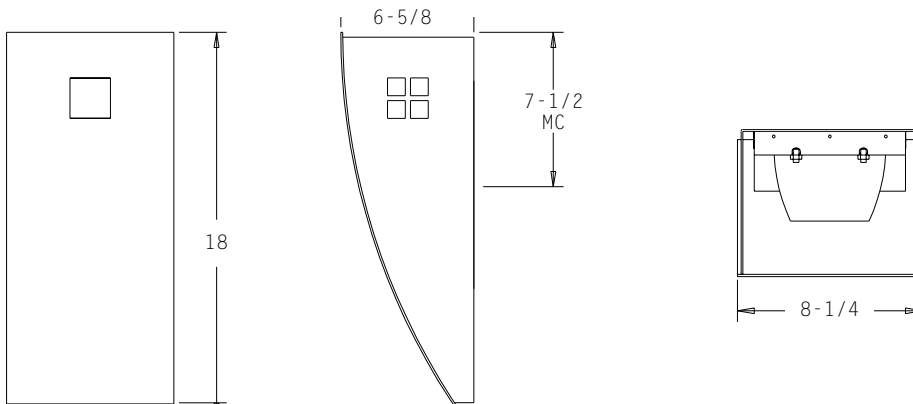
PROJECT: \_\_\_\_\_

LOCATION: \_\_\_\_\_

## FEATURES

- A modern, aerodynamic luminaire.
- Fully enclosed and gasketed fixture.
- Approved and listed for wet locations.
- Electronic, multi-volt (120-277V) ballast is standard.  
0° F starting temperature.
- Integral ballast provides easy installation and maintenance.
- Customized window patterns available.
- Ability to mount in an up or down orientation.
- No visible fasteners.
- Manufactured in the U.S.A.

## DIMENSIONS



MC = Mounting Center  
A 4" octagonal junction box should be used for installation.

## ORDERING INFORMATION / OPTIONS EXAMPLE: 590-2CFQ26-SAL

# 590

### MODEL

590 - Wet Location Scoop

### LAMP

- 1CFQ13 - (1) 13w QUAD TUBE CF (G24Q-1 Base)
  - 1CFQ18 - (1) 18w QUAD TUBE CF (G24Q-2 Base)
  - 1CFQ26 - (1) 26w QUAD TUBE CF (G24Q-3 Base)
  - 1CFT32 - (1) 32w TRIPLE TUBE CF (GX24Q-3 Base)
  - 1CFT42 - (1) 42w TRIPLE TUBE CF (GX24Q-3 Base)
  - 2CFQ13 - (2) 13w QUAD TUBE CF (G24Q-1 Base)
  - 2CFQ18 - (2) 18w QUAD TUBE CF (G24Q-2 Base)
  - 2CFQ26 - (2) 26w QUAD TUBE CF (G24Q-3 Base)
  - 2CFT26 - (2) 26w TRIPLE TUBE CF (GX24Q-3 Base)
  - 1LED8 - (1) 8w LED MODULE. 530 Lumens
- Consult factory for other available lamps and LED Wattages.

### HOUSING FINISH

- WHT - White
  - BLK - Black
  - SAL - Silver
  - BRZ - Bronze
- Consult factory for other finishes.

### OPTIONS

- TP - Tamperproof Nuts
- TL - Top Lens  
(recommended when mounting fixture down)
- Lamp - Lamp provided. Please specify color temperature.
- INV - Inverted Fixture

**Indessa**  
LIGHTING

PHONE: 509.924.0243 • FAX: 509.924.2607 • www.indessa.com  
Indessa Lighting reserves the right to make design revisions without prior notice.

