

Available in LED

574 SOFTGLOW

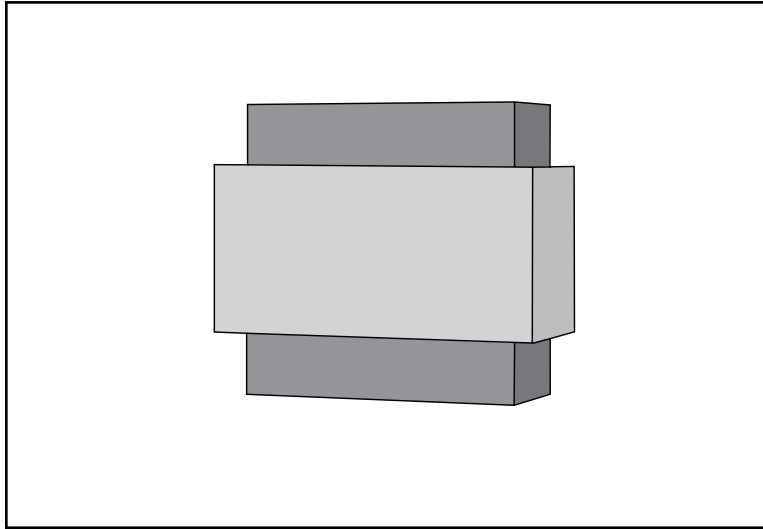


A soft glow around the center band of the luminaire provides drama to this rectangular shaped luminaire. Additionally, the center band allows the fixture to be two tone painted, significantly adding to its daylight character.

574 SOFTGLOW

Available in LED

TYPE



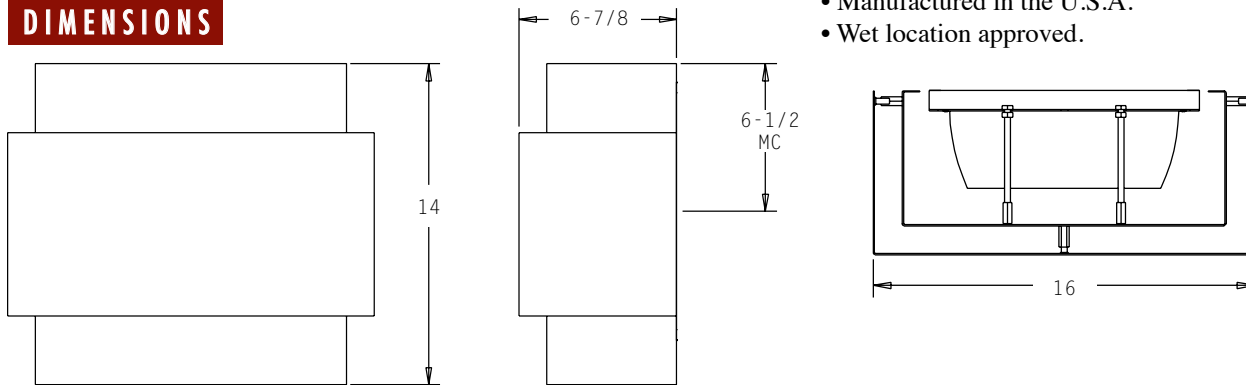
PROJECT: _____

LOCATION: _____

FEATURES

- An ideal fixture for retail light marking and building highlighting.
- Design provides a soft glow around the center band of the fixture.
- Open top and bottom increases efficiency for higher light levels.
- Design allows for two tone paint finishes.
- Fully enclosed and gasketed electrical compartment.
- Approved and listed for wet locations.
- No visible fasteners.
- Electronic multi-volt (120/277) ballast is standard.
- Manufactured in the U.S.A.
- Wet location approved.

DIMENSIONS



MC = Mounting Center

A 4" octagonal junction box should be used for installation.

ORDERING INFORMATION / OPTIONS EXAMPLE: 574-1MH70-WHT

574

MODEL

574 - Softglow

HOUSING FINISH

WHT - White
BLK - Black
SAL - Silver
BRZ - Bronze

Consult factory for other finishes.

To specify a different color for the center band, spell out the band color then the back of the fascia. Example: for a black housing with a silver band, specify SAL-Band/BLK-Housing.

OPTIONS

TP - Tamperproof Nuts
Lamp - Lamp provided, please specify color temperature

LAMP

1CFQ13 - (1) 13w QUAD TUBE CF (G24Q-1 Base)
1CFQ18 - (1) 18w QUAD TUBE CF (G24Q-2 Base)
1CFQ26 - (1) 26w QUAD TUBE CF (G24Q-3 Base)
1CFT32 - (1) 32w TRIPLE TUBE CF (GX24Q-3 Base)
1CFT42 - (1) 42w TRIPLE TUBE CF (GX24Q-3 Base)
2CFQ13 - (2) 13w QUAD TUBE CF (G24Q-1 Base)
2CFQ18 - (2) 18w QUAD TUBE CF (G24Q-2 Base)
2CFQ26 - (2) 26w QUAD TUBE CF (G24Q-3 Base)

2CFT26 - (2) 26w TRIPLE TUBE CF (GX24Q-3 Base)
2CFT32 - (2) 32w TRIPLE TUBE CF (GX24Q-3 Base)
2CFT42 - (2) 42w TRIPLE TUBE CF (GX24Q-3 Base)
1LED19 - (1) 19w LED MODULE. 2200 Lumens
2LED11 - (2) 11w LED MODULES. 1560 Lumens
2LED13 - (2) 13w LED MODULES. 1960 Lumens
1MH50 - (1) 50w Metal Halide (ED17 Bulb)
1MH70 - (1) 70w Metal Halide (ED17 Bulb)

Consult factory for other available lamps and LED Wattages.