

LED

**565
PERF**



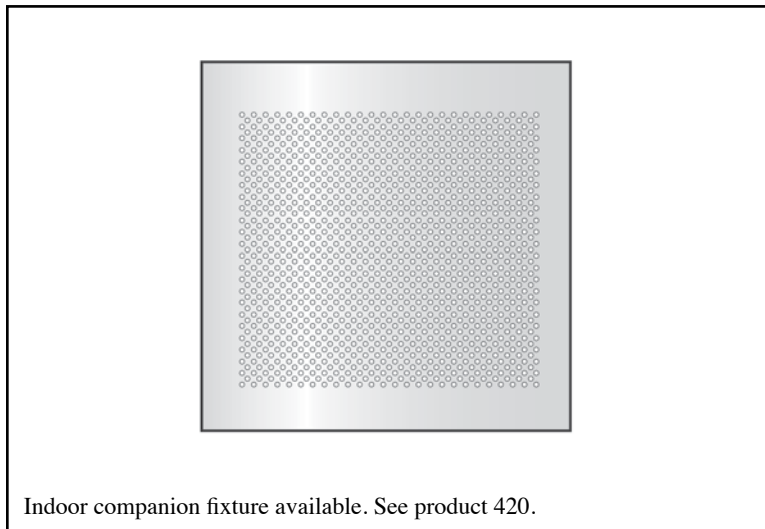
Designed to highlight contemporary themed architecture this luminaire is available with a wide variety of lamp sources, enabling it to be used above walkways or at higher elevations.

Indessa
LIGHTING

565 PERF

LED

TYPE



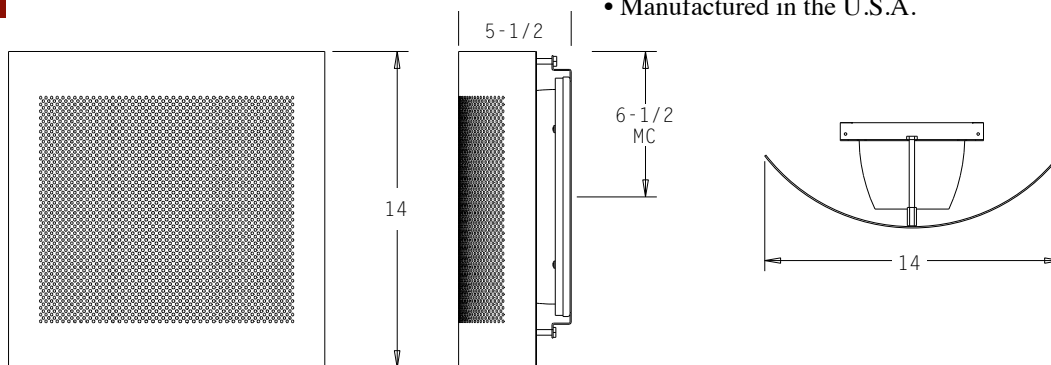
PROJECT: _____

LOCATION: _____

FEATURES

- An ideal luminaire for highlighting contemporary buildings.
- Contoured lens behind the perforated panel provides uniform illumination across the entire fascia.
- Unitized design allows the fixture to be used even in the most restrictive budgets.
- A wide choice of lamps can provide varying illumination levels.
- Wrap design of the fascia shields the lamps from normal viewing angles.
- Standard 0-10V dimming driver.
- Wet location approved.
- Manufactured in the U.S.A.

DIMENSIONS



MC = Mounting Center
A 4" octagonal junction box should be used for installation.

ORDERING INFORMATION / OPTIONS EXAMPLE: 565-1LED19-SAL

565

MODEL

565 - Perf

LAMP

- 1LED9** – (1) 9W LED Module (1100 Lumens)
 - 1LED14** – (1) 14W LED Module (1550 Lumens)
 - 1LED19** – (1) 19W LED Module (2000 Lumens)
 - 1LED23** – (1) 23W LED Module (2350 Lumens) (Triac / ELV Dimming)
- Consult factory for other available lamps and LED Wattages.

HOUSING FINISH

- WHT** - White
 - BLK** - Black
 - SAL** - Silver
 - BRZ** - Bronze
 - BSS** - Brushed Stainless Steel
- Consult factory for other finishes.

OPTIONS

- TP** - Tamperproof Nuts
- 30K** - 3000 Kelvin Temperature
- 35K** - 3500 Kelvin Temperature
- 40K** - 4000 Kelvin Temperature