

Available in LED

503
SENTRY

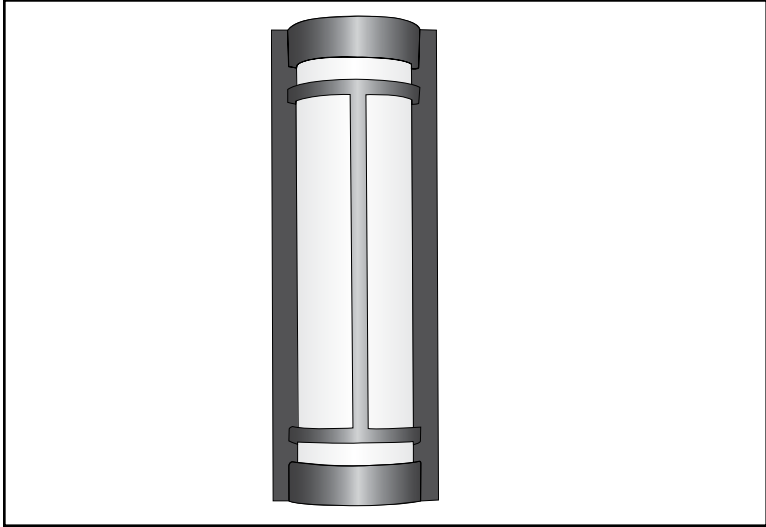


Constructed of solid aluminum bars this unique design makes a strong design statement. Whether used on brick or on smooth surfaces the fixture will dramatically enhance the aesthetics of the building.

503 SENTRY

Available in LED

TYPE



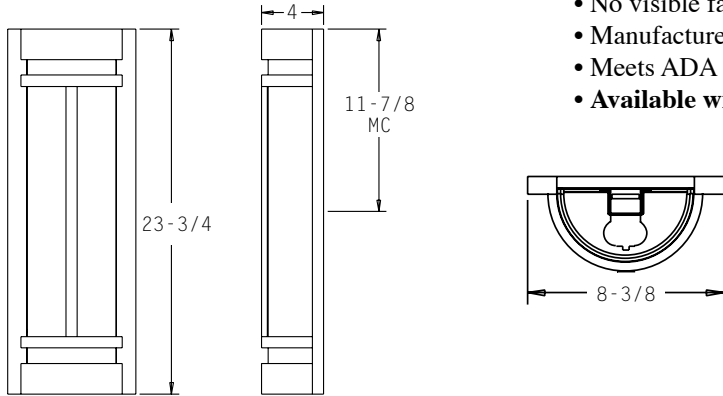
PROJECT: _____

LOCATION: _____

FEATURES

- Solid aluminum bar stock makes for an extremely rigid fixture.
- The integration of 2", 1 1/4" and 3/4" bars blends in seamlessly for a very unique look.
- Electronic multi-volt (120/277) ballast is standard (0 degree F starting temperature)
- All parts treated with a five stage phosphate bonding process before being treated with a long lasting powder coat finish.
- Ability to lengthen fixture and add or subtract bars.
- Listed and approved for wet locations.
- No visible fasteners.
- Manufactured in the U.S.A.
- Meets ADA requirements.
- **Available with integral emergency ballast.**

DIMENSIONS



MC = Mounting Center
A 4" octagonal junction box should be used for installation.

ORDERING INFORMATION / OPTIONS EXAMPLE: 503-2F27-BLK

503

MODEL

503 - Sentry

LAMP

2F27 - (2) 24/27W Long Twin Tube CF (2G11 Base)
1LED19 - (1) 19W LED MODULE. 2200 Lumens
2LED14 - (2) 14W LED MODULES. 3100 Lumens
2LED17 - (2) 17W LED MODULES. 3750 Lumens
Consult factory for other available lamps and LED Wattages.

HOUSING FINISH

WHT - White
BLK - Black
SAL - Silver
BRZ - Bronze
BA - Brushed Aluminum
Consult factory for other finishes.

OPTIONS

BL - Bottom Lens
TC - Top Aluminum Cover
BC - Bottom Aluminum Cover
Lamp - Lamp provided, please specify color temperature
IEM - Integral Emergency Ballast (CF Only)
DRY - Indoor Version