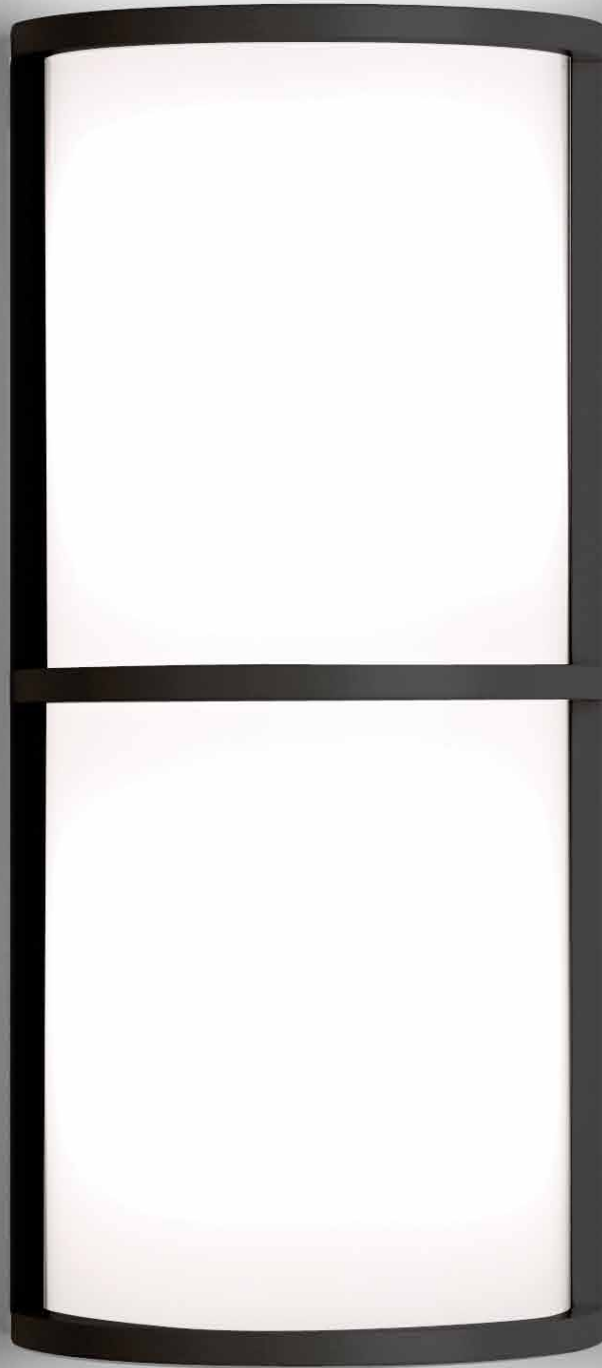


Available in LED

501  
WET LOCATION  
CLASSIC



This popular wall sconce is a timeless classic. Constructed of solid bar stock this product is available with a number of bar options. This wet location fixture is an ideal luminaire for building entrances and outdoor walkways.

# 501 WET LOCATION CLASSIC

TYPE

Available in LED



Indoor companion fixture available. See product 409.  
Contact your local sales rep for other available sizes/bar configurations.

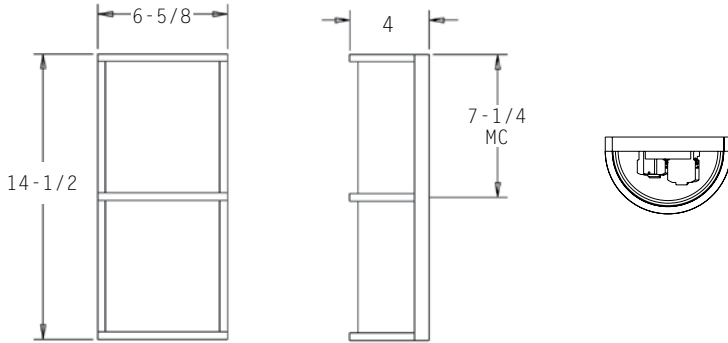
PROJECT: \_\_\_\_\_

LOCATION: \_\_\_\_\_

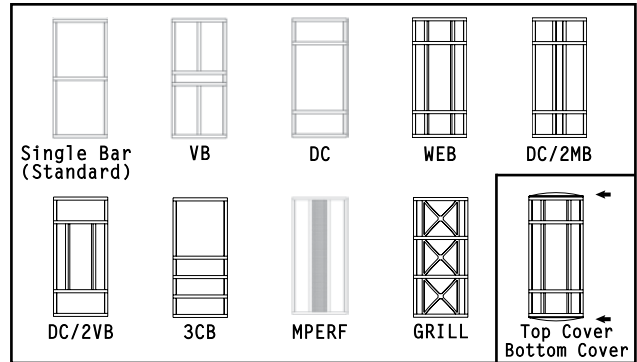
## FEATURES

- A timeless design for a classic look.
- Cage constructed of solid bar stock for strength and rigidity.
- Electronic, multi-volt (120/277) ballast is standard.
- All parts are treated with a five stage phosphate bonding process before being finished with a long lasting powder coat finish.
- Acrylic lens for maximum lens uniformity.
- Complies with ADA.
- For use in Wet Locations.
- Manufactured in the U.S.A.
- **Available in longer lengths consult factory.**

## DIMENSIONS



MC = Mounting Center  
A 4" octagonal junction box should be used for installation.



## ORDERING INFORMATION / OPTIONS EXAMPLE: 501-2CFQ13-SAL-VB

# 501

### MODEL

501 - Wet Location Classic

### LAMP

- 2CFQ13 - (2) 13w QUAD TUBE CF (G24Q-1 Base)
- 2CFQ18 - (2) 18w QUAD TUBE CF (G24Q-2 Base)
- 2CFQ26 - (2) 26w QUAD TUBE CF (G24Q-3 Base)
- 1LED9 - (1) 9W LED MODULE. 1100 Lumens
- 1LED14 - (1) 14W LED MODULE. 1550 Lumens
- 1LED17 - (1) 17W LED MODULE. 1875 Lumens
- 1LED19 - (1) 19W LED MODULE. 2200 Lumens

Consult factory for other available lamps and LED Wattages.

### HOUSING FINISH

- WHT - White
- BLK - Black
- SAL - Silver
- BRZ - Bronze
- BA - Brushed Aluminum

Consult factory for other finishes.

### BAR CONFIGURATION

- Blank - Standard Single Bar
- VB - Vertical Bar
- DC - Double Cross Bar
- DC/2VB - Double Cross Bar w/2 Vertical Bars
- DC/2MB - Double Cross Bar w/2 Middle Bars
- 3CB - 3 Lower Cross Bars
- WEB - Double Cross Bar w/2 Full Vertical Bars
- MPERF - Vertical Perf Panel in the Center of the Fixture
- GRILL - Decorative Aluminum Grill

Consult factory for other available configurations.

### OPTIONS

- BL - Bottom Lens
  - TC - Top Die Cast Aluminum Cover (Adds 1/2" to height)
  - BC - Bottom Die Cast Aluminum Cover (Adds 1/2" to height)
  - Faux - Faux Alabaster Lens
  - DIM - Dimming Ballast
  - Lamp - Lamp provided, please specify color temperature
- For emergency ballast availability, consult model 507.

**Indessa**  
LIGHTING

PHONE: 509.924.0243 • FAX: 509.924.2607 • www.indessa.com

Indessa Lighting reserves the right to make design revisions without prior notice.

