

Available in LED

# 484 SEDONA

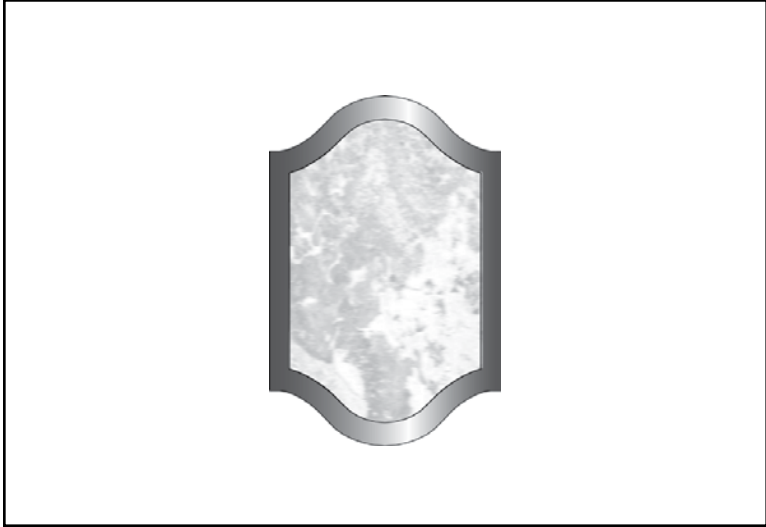


A Faux Alabaster lens attached to a distinctive, rigid frame gives this luminaire a warm yet stylish appeal. Ideal for offices, schools or churches, Sedona mounts flush to the wall on both sides while still providing ample illumination.

# 484 SEDONA

**Available in LED**

TYPE



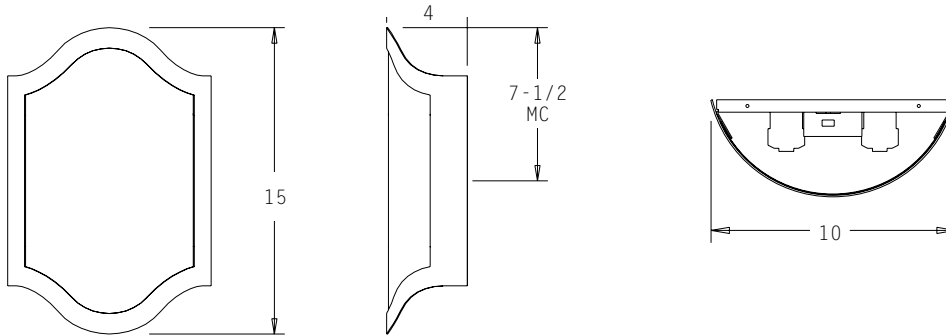
PROJECT: \_\_\_\_\_

LOCATION: \_\_\_\_\_

## FEATURES

- An auburn tinted Faux Alabaster lens provides warmth and style to the fixture.
- Contoured lens increases uniformity and eliminates “hot spots”.
- Unitized design allows the fixture to be used in even the most restrictive budgets.
- A wide choice of lamps can provide varying amounts of illumination.
- Flush mounting on the side of the fixture provides complete side shielding.
- Electronic multi-volt (120/277) ballast is standard.
- Meets all ADA requirements.
- Manufactured in the U.S.A.

## DIMENSIONS



MC = Mounting Center  
A 4" octagonal junction box should be used for installation.

## ORDERING INFORMATION / OPTIONS EXAMPLE: 484-2CFQ26-BRZ

# 484

### MODEL

484 - Sedona

### LAMP

- 1CFQ13 – (1) 13w QUAD TUBE CF (G24Q-1 Base)
  - 1CFQ18 – (1) 18w QUAD TUBE CF (G24Q-2 Base)
  - 1CFQ26 – (1) 26w QUAD TUBE CF (G24Q-3 Base)
  - 1CFT32 – (1) 32w TRIPLE TUBE CF (GX24Q-3 Base)
  - 1CFT42 – (1) 42w TRIPLE TUBE CF (GX24Q-3 Base)
  - 2CFQ13 – (2) 13w QUAD TUBE CF (G24Q-1 Base)
  - 2CFQ18 – (2) 18w QUAD TUBE CF (G24Q-2 Base)
  - 2CFQ26 – (2) 26w QUAD TUBE CF (G24Q-3 Base)
  - 1LED9 – (1) 9W LED MODULE. 1100 Lumens
  - 1LED14 – (1) 14W LED MODULE. 1550 Lumens
  - 1LED17 – (1) 17W LED MODULE. 1875 Lumens
  - 1LED19 – (1) 19W LED MODULE. 2200 Lumens
- Consult factory for other available lamps and LED Wattages.*

### HOUSING FINISH

- WHT - White
  - BLK - Black
  - SAL - Silver
  - BRZ - Bronze
- Consult factory for other finishes.*

### OPTIONS

- BL - Bottom Lens
- TL - Top Lens
- DL - Damp Label
- Lamp - Lamp provided, please specify color temperature
- Dim - Dimming Ballast
- LWhite - White Opal Acrylic Lens
- FauxW - White Faux Alabaster Lens