

480 BLADE

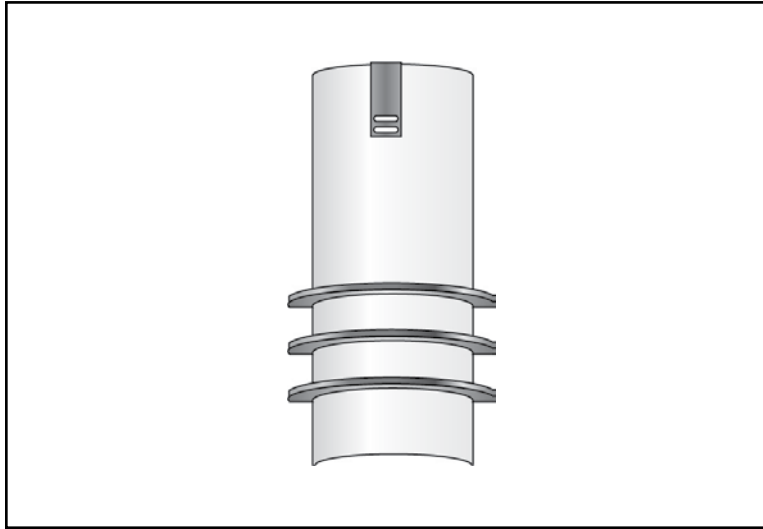


The Blade, with its three Saturn like rings, is a contemporary fixture that provides high levels of illumination within an ADA compliant fixture.

Indessa
LIGHTING

480 BLADE

TYPE



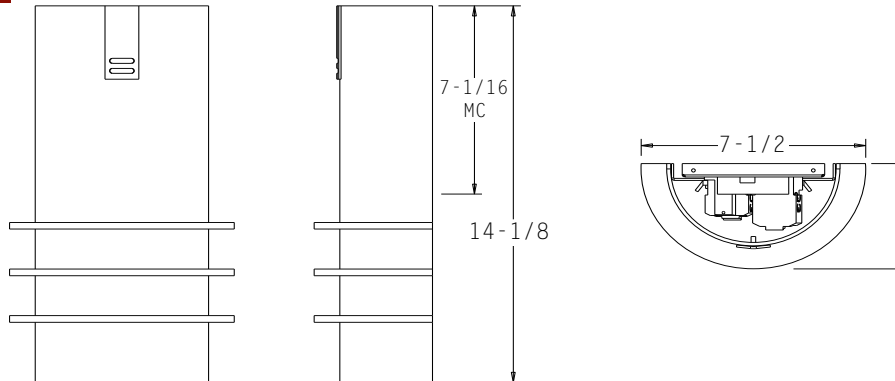
PROJECT: _____

LOCATION: _____

FEATURES

- Thick, symmetrical blades set this fixture apart from other cylindrical fixtures.
- Unique “skeleton” electrical system allows blades and lens to be attached with no visible fasteners.
- A variety of lamp options available for varying illumination requirements.
- Electronic multi-volt (120 to 277V) ballast is standard.
- Meets all ADA requirements.
- Manufactured in the U.S.A.

DIMENSIONS



MC = Mounting Center

A 4" octagonal junction box should be used for installation.

ORDERING INFORMATION / OPTIONS

EXAMPLE: 480-2CFQ18-BRZ

480

MODEL

480 - Blade

LAMP

1CFQ13 – (1) 13W QUAD TUBE CF (G24Q-1BASE)
 1CFQ18 – (1) 18W QUAD TUBE CF (G24Q-2 BASE)
 1CFQ26 – (1) 26W QUAD TUBE CF (G24Q-3 BASE)
 2CFQ13 – (2) 13W QUAD TUBE CF (G24Q-1 BASE)
 2CFQ18 – (2) 18W QUAD TUBE CF (G24Q-2 BASE)
 2CFQ26 – (2) 26W QUAD TUBE CF (G24Q-3 BASE)

Consult factory for other available lamps.

BLADE FINISH

WHT – White
 BLK – Black
 SAL – Silver
 BRZ – Bronze
 BA – Brushed Aluminum

Consult factory for other finishes.

OPTIONS

DL – Damp Label
 Lamp – Lamp provided,
 please specify color temperature.

Indessa
LIGHTING

PHONE: 509.924.0243 • FAX: 509.924.2607 • www.indessa.com

Indessa Lighting reserves the right to make design revisions without prior notice.

