

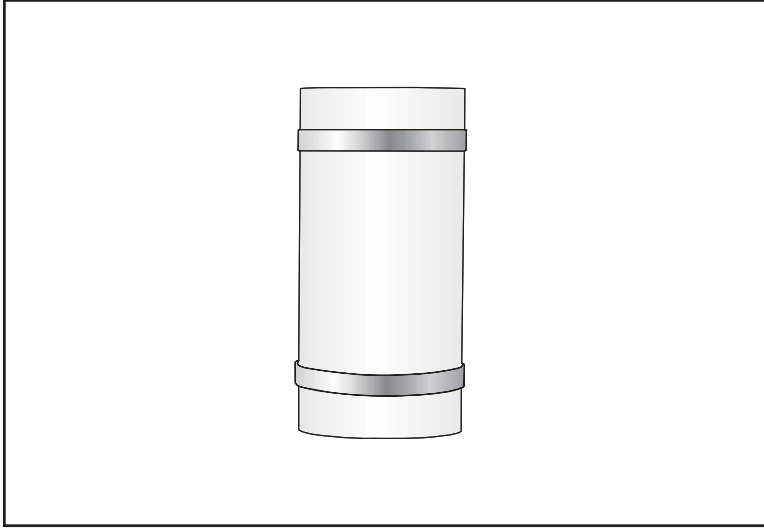
459
MAXUM



An ideal luminaire for Hotels, Apartments and Assisted Living centers, this luminaire provides a generous amount of general illumination and is designed for restricted budgets.

459 MAXUM

TYPE



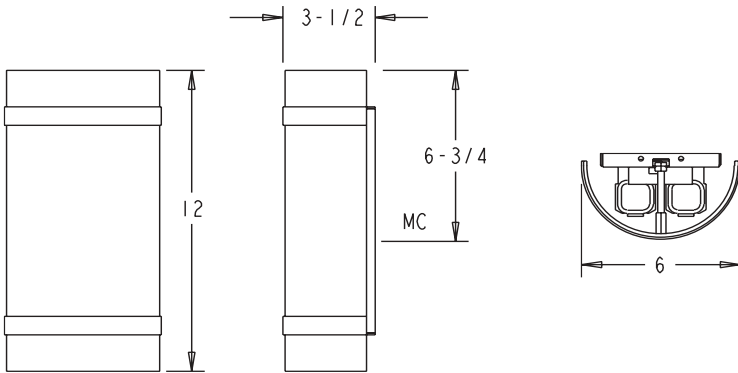
PROJECT: _____

LOCATION: _____

FEATURES

- A general illumination luminaire that is ideal for Hotels, Apartments and Assisted Living Centers.
- Acrylic lens provides a strong shielding method that is resistant to vandalism and decay.
- A simplistic design allows this product to be used in restrictive budget scenarios while providing a stylish and practical source of illumination.
- Electronic ballast and compact fluorescent lamp provide years of maintenance free operation.
- Electronic multi-volt (120/277) ballast is standard.
- Meets all ADA requirements.
- Manufactured in the USA.

DIMENSIONS



ORDERING INFORMATION / OPTIONS EXAMPLE: 459-2CFQ26-WHT

459

MODEL

459 - Maxum

LAMP

1CFQ13 - (1) 13W QUAD TUBE CF (G24Q-1 BASE)
 1CFQ18 - (1) 18W QUAD TUBE CF (G24Q-2 BASE)
 1CFQ26 - (1) 26W QUAD TUBE CF (G24Q-3 BASE)
 2CFQ13 - (2) 13W QUAD TUBE CF (G24Q-1 BASE)
 2CFQ18 - (2) 18W QUAD TUBE CF (G24Q-2 BASE)
 2CFQ26 - (2) 26W QUAD TUBE CF (G24Q-3 BASE)

DECORATIVE BAND FINISH

WHT - White
 BLK - Black
 SAL - Silver
 BRZ - Bronze
 Consult factory for other finishes.

OPTIONS

DL - Damp label
 Lamp - Lamp provided,
 please specify color
 temperature

Indessa Lighting

10502 EAST MONTGOMERY, SUITE 4 • SPOKANE, WA • 99206
 PHONE: 509.924.0243 • FAX: 509.924.2607 • www.indessa.com



Indessa Lighting reserves the right to make design revisions without prior notice.

IW-10