

LED

**459
MAXUM**



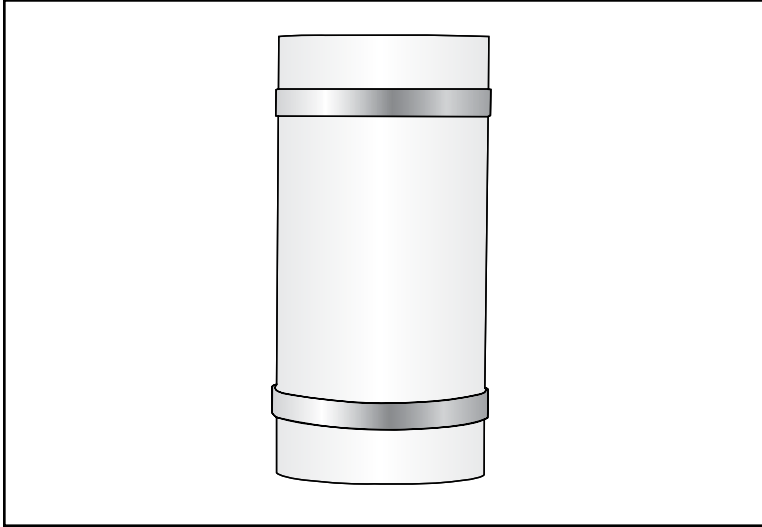
An ideal luminaire for Hotels, Apartments and Assisted Living centers, this luminaire provides a generous amount of general illumination and is designed for restricted budgets.

Indessa
LIGHTING

459 MAXUM

LED

TYPE



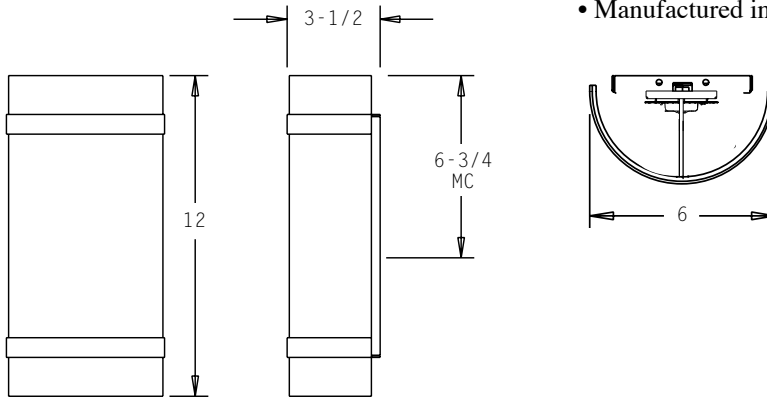
PROJECT: _____

LOCATION: _____

FEATURES

- A general illumination luminaire that is ideal for Hotels, Apartments and Assisted Living Centers.
- Acrylic lens provides a strong shielding method that is resistant to vandalism and decay.
- A simplistic design allows this product to be used in restrictive budget scenarios while providing a stylish and practical source of illumination.
- Electronic ballast and compact fluorescent lamp provide years of maintenance free operation.
- Standard 0-10V dimming driver.
- Meets all ADA requirements.
- Manufactured in the U.S.A.

DIMENSIONS



MC = Mounting Center

A 4" octagonal junction box should be used for installation.

ORDERING INFORMATION / OPTIONS EXAMPLE: 459-1LED14-WHT

459

MODEL

459 - Maxum

LAMP

1LED9 - (1) 9W LED Module. 1100 Lumens

1LED14 - (1) 14W LED Module. 1550 Lumens

1LED19 - (1) 19W LED Module. 2000 Lumens

Consult factory for other available lamps and LED Wattages.

HOUSING FINISH

WHT - White

BLK - Black

SAL - Silver

BRZ - Bronze

Consult factory for other finishes.

OPTIONS

DL - Damp Label

30K - 3000 Kelvin Temperature

35K - 3500 Kelvin Temperature

40K - 4000 Kelvin Temperature