

440
V-TECH

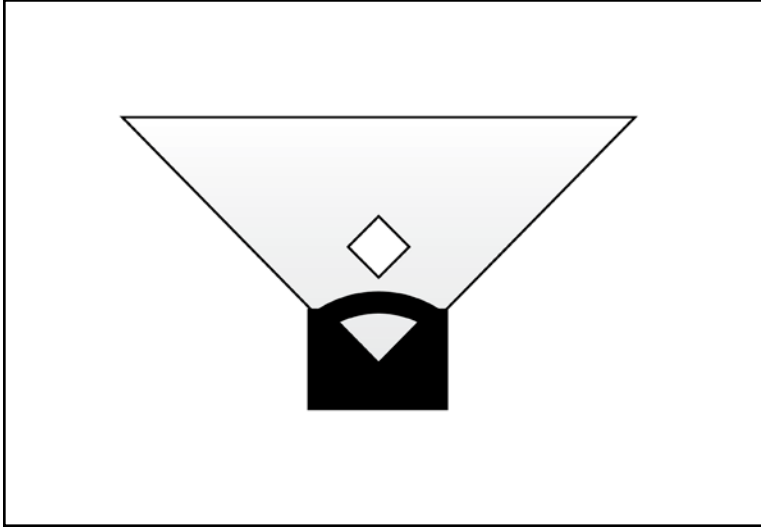


Stylish lines highlight this modern, high-tech fixture. Available with a variety of lamps, this product is ideal for the modern office.

Indessa
LIGHTING

440 V-TECH

TYPE



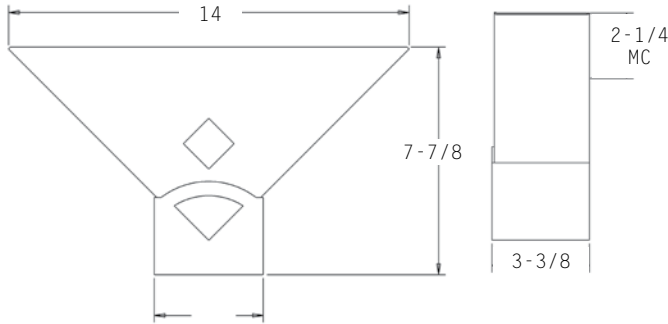
PROJECT: _____

LOCATION: _____

FEATURES

- Modern, decorative appearance for the modern office.
- Standard two tone housing.
- Shallow profile.
- Standard blue acrylic lens.
- Electronic, multi-volt (120/277) ballast is standard.
- All parts are treated with a five stage phosphate bonding process before being finished with a long lasting powder coat finish.
- Translucent window provides a visual highlight.
- Complies with ADA.
- No visible fasteners.
- Manufactured in the U.S.A.

DIMENSIONS



MC = Mounting Center

A 4" octagonal junction box should be used for installation.

ORDERING INFORMATION / OPTIONS

EXAMPLE: 440-2CFQ13-BLK/SAL

440

MODEL

440 - V-Tech

LAMP

2CFQ13 - (2) 13W QUAD TUBE CF (G24Q-1 BASE)

2CFQ18 - (2) 18W QUAD TUBE CF (G24Q-2 BASE)

2CFQ26 - (2) 26W QUAD TUBE CF (G24Q-3 BASE)

Consult factory for other available lamps.

HOUSING FINISH

BLK/SAL - Black Bottom/Silver Top

Consult factory for other finishes.

OPTIONS

DL - Damp Label

Lamp - Lamp provided, please specify color temperature

LWhite - White Lens

LGreen - Green Lens

LRed - Red Lens

Indessa
LIGHTING

PHONE: 509.924.0243 • FAX: 509.924.2607 • www.indessa.com

Indessa Lighting reserves the right to make design revisions without prior notice.

