

Available in LED

435 TEARDROP

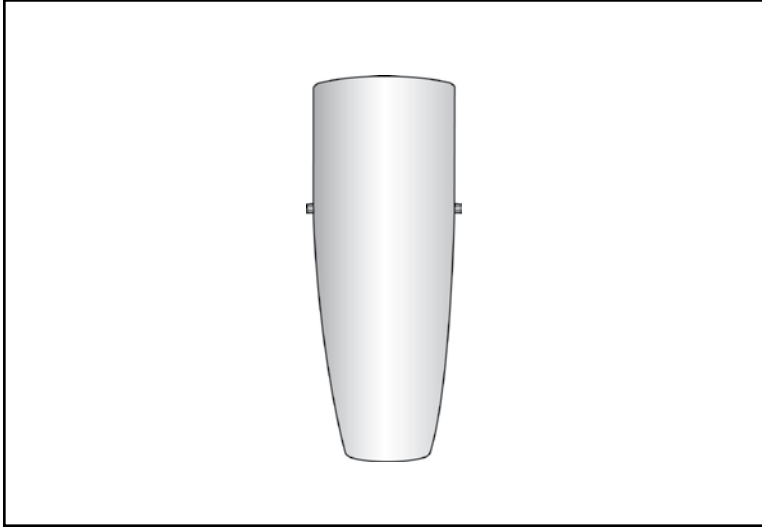


The soft lines of The Teardrop enhance the stylish yet sophisticated luminaire. Constructed of 1/8" Hand Blown Glass, the Teardrop is one of the few fixtures in this shape that can incorporate a large Compact Fluorescent lumen package.

435 TEARDROP

Available in LED

TYPE



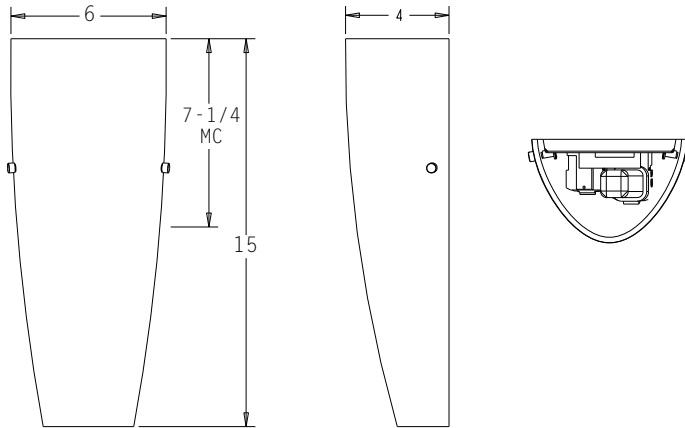
PROJECT: _____

LOCATION: _____

FEATURES

- Unique shaped, hand blown 1/4" thick, etched glass provides a stylish and contemporary appearance.
- Available with up to 2-26W Quad Tube Compact Fluorescent Lamps.
- Stainless steel fasteners retain the lens and accentuate the glass.
- Electronic multi-volt (120 to 277V) ballast is standard.
- Meets all ADA requirements.
- Manufactured in the U.S.A.

DIMENSIONS



MC = Mounting Center
A 4" octagonal junction box should be used for installation.

ORDERING INFORMATION / OPTIONS

EXAMPLE: 435-2CFQ26-WHT

435

MODEL

435 - Teardrop

LAMP

1CFQ13 – (1) 13w QUAD TUBE CF (G24Q-1 Base)
 1CFQ18 – (1) 18w QUAD TUBE CF (G24Q-2 Base)
 1CFQ26 – (1) 26w QUAD TUBE CF (G24Q-3 Base)
 2CFQ13 – (2) 13w QUAD TUBE CF (G24Q-1 Base)
 2CFQ18 – (2) 18w QUAD TUBE CF (G24Q-2 Base)
 2CFQ26 – (2) 26w QUAD TUBE CF (G24Q-3 Base)
 1LED11 – (1) 11w LED MODULE. 780 Lumens
 1LED13 – (1) 13w LED MODULE. 980 Lumens
 Consult factory for other available lamps.

GLASS COLOR

WHT – White etched glass

OPTIONS

DL – Damp Label
 Lamp – Lamp provided, please specify color temperature.

Indessa
LIGHTING

PHONE: 509.924.0243 • FAX: 509.924.2607 • www.indessa.com

Indessa Lighting reserves the right to make design revisions without prior notice.

