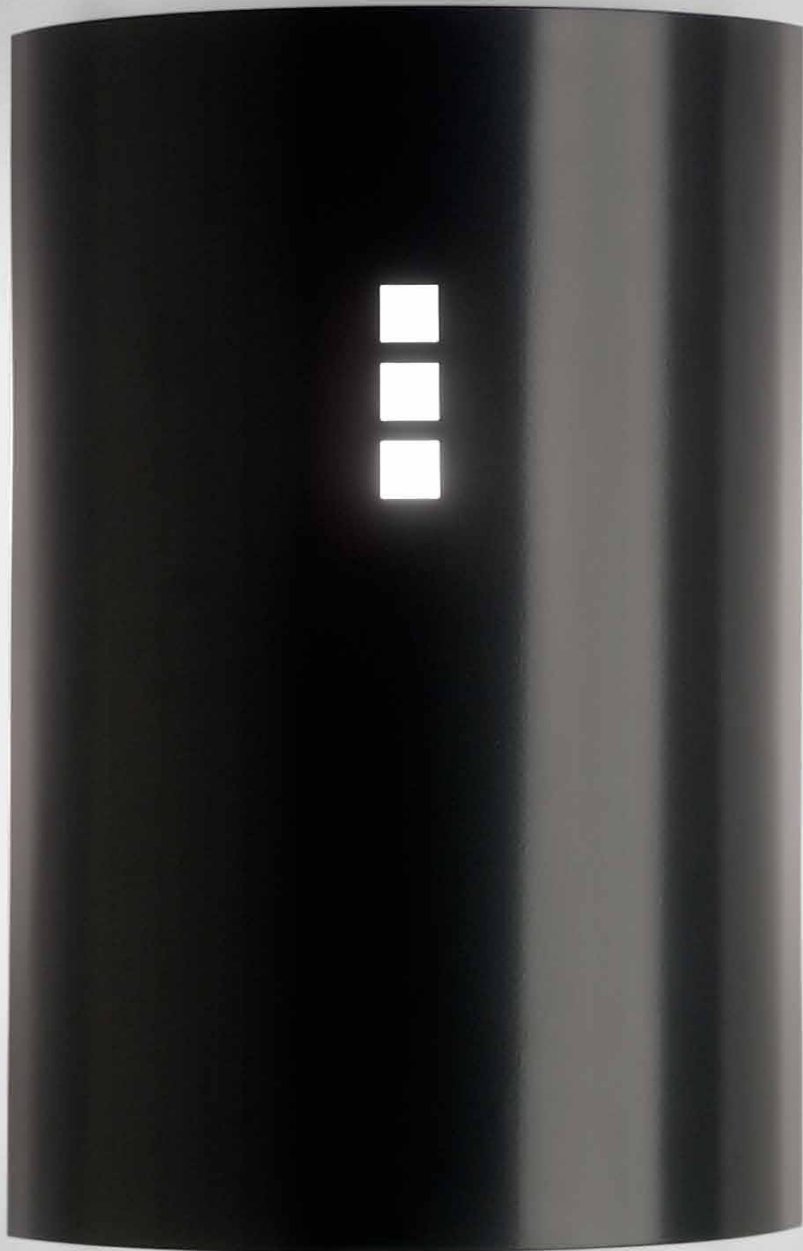


Available in LED

431 HALF CYLINDER



The Half Cylinder is stylish and ideal for mounting alongside entryways and doors. With distribution on all sides, a maximum amount of light is distributed to the area. Three decorative windows on the top of the fascia add sparkle to the fixture.

431 HALF CYLINDER

Available in LED

TYPE



Available in wet location. See product 562.

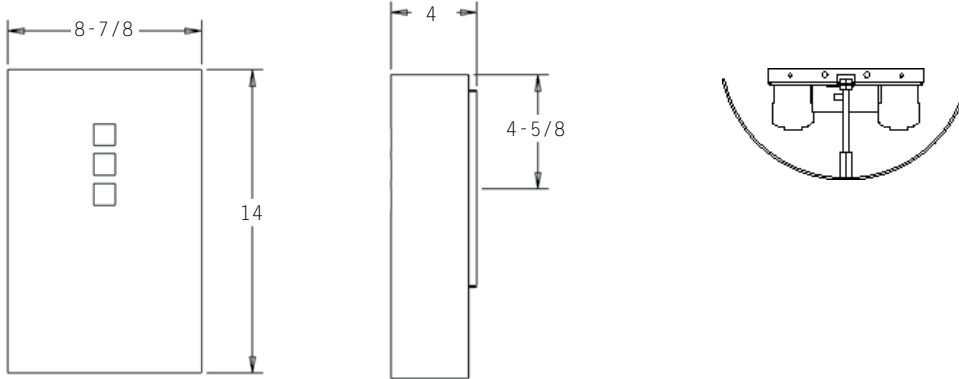
PROJECT: _____

LOCATION: _____

FEATURES

- Compact, modern sconce.
- All acrylic is attached via mechanical means.
- Electronic, multi-volt (120/277) ballast is standard.
- All parts are treated with a five stage phosphate bonding process before being finished with a long lasting powder coat finish.
- Complies with ADA.
- No visible fasteners.
- Manufactured in the U.S.A

DIMENSIONS



MC = Mounting Center
A 4" octagonal junction box should be used for installation.

ORDERING INFORMATION / OPTIONS EXAMPLE: 431-2CFQ13-DBZ

431

MODEL

431 - Half Cylinder

LAMP

- 1CFQ13 - (1) 13w QUAD TUBE CF (G24Q-1 Base)
 - 1CFQ18 - (1) 18w QUAD TUBE CF (G24Q-2 Base)
 - 1CFQ26 - (1) 26w QUAD TUBE CF (G24Q-3 Base)
 - 1CFT32 - (1) 32w TRIPLE TUBE CF (GX24Q-3 Base)
 - 1CFT42 - (1) 42w TRIPLE TUBE CF (GX24Q-3 Base)
 - 2CFQ13 - (2) 13w QUAD TUBE CF (G24Q-1 Base)
 - 2CFQ18 - (2) 18w QUAD TUBE CF (G24Q-2 Base)
 - 2CFQ26 - (2) 26w QUAD TUBE CF (G24Q-3 Base)
 - 1LED9 - (1) 9W LED MODULE. 1100 Lumens
 - 1LED14 - (1) 14W LED MODULE. 1550 Lumens
 - 1LED17 - (1) 17W LED MODULE. 1875 Lumens
 - 1LED19 - (1) 19W LED MODULE. 2200 Lumens
- Consult factory for other available lamps and LED Wattages.

HOUSING FINISH

- WHT - White
 - BLK - Black
 - SAL - Silver
 - BRZ - Bronze
- Consult factory for other finishes.

OPTIONS

- TP - Tamperproof Nuts
- DL - Damp Label
- TL - Top Lens
- BL - Bottom Lens
- Lamp - Lamp provided, please specify color temperature
- IEM - Integral Emergency Ballst (Quad Tubes Only)
- DIM - Dimming Ballast

Indessa
LIGHTING

PHONE: 509.924.0243 • FAX: 509.924.2607 • www.indessa.com
Indessa Lighting reserves the right to make design revisions without prior notice.

