

Available in LED

427 APEX

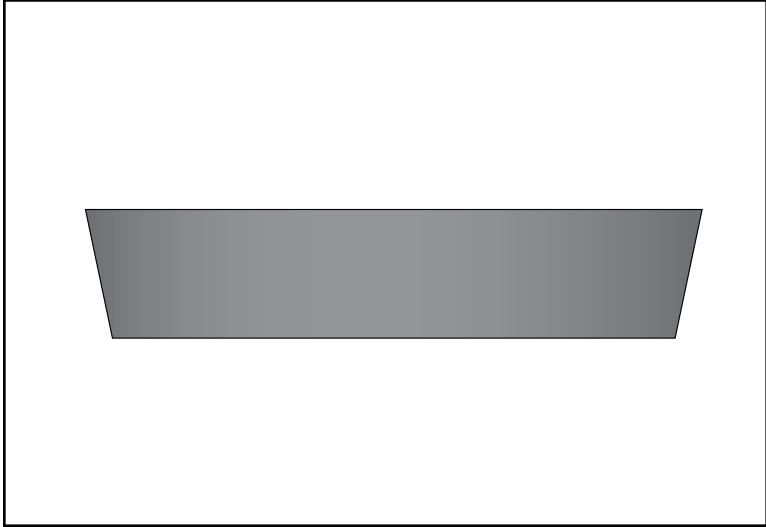


Fun, creative, decorative! The Apex can enhance a fun and interesting environment. The designer can coordinate the theme of their environment with the face of the light fixture with laser cut out images.

427 APEX

Available in LED

TYPE



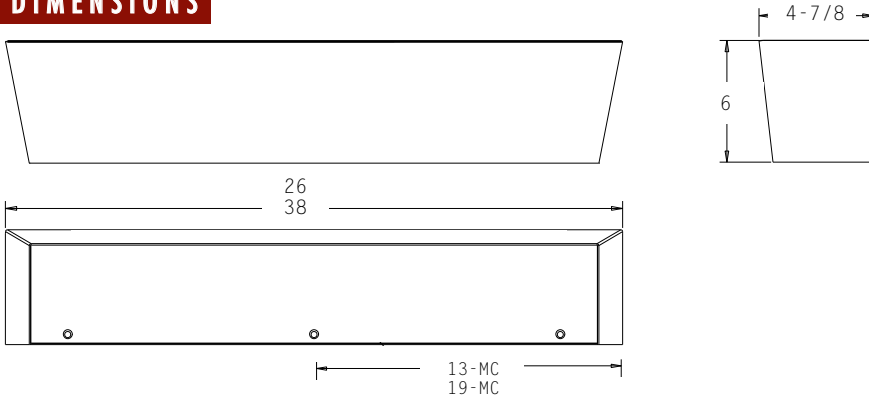
PROJECT: _____

LOCATION: _____

FEATURES

- Versatile up/down luminaire available in a horizontal mount orientation. Ideal for vanities and stairwells.
- Simple design makes the unit extremely efficient.
- Bottom lens standard. Top open for maximum efficiency.
- Ability to create laser cut images into the metal front fascia
- Available in a wide variety of LED lumen packages.
- Electronic multi-volt (120 to 277V) ballast is standard in fluorescent.
- Manufactured in the USA.

DIMENSIONS



MC = Mounting Center
A 4" octagonal junction box should be used for installation.

ORDERING INFORMATION / OPTIONS EXAMPLE: 427-2LED9-WHT-DL-TL

427

MODEL
427 - Apex

LAMP

- 24" Version**
- 2F27 – (2) 27w Long Twin Tube (Base 2G11)
 - 1F40 – (1) 40w Long Twin Tube (Base 2G11)
 - 1F17 – (1) 17w T8 Lamp
 - 2F17 – (2) 17w T8 Lamps
 - 2F14 – (2) 14w T5 Lamps
 - 2LED9 – (2) 9w LED Modules. 2200 Lumens
 - 2LED14 – (2) 14w LED Modules. 3100 Lumens

HOUSING FINISH

- WHT - White
 - BLK - Black
 - SAL - Silver
 - BRZ - Bronze
- Consult factory for other finishes.*

OPTIONS

- DL -Damp Label
- TL -Top Lens
- IMAGE -Custom images provided by customer

LENGTH

- 24"-24"
- 36"-36"

- 36" Version**
- 2F39 – (2) 39w Long Twin Tube (Base 2G11)
 - 1F25 – (1) 25w T8 Lamp
 - 2F25 – (2) 25w T8 Lamps
 - 2F21 – (2) 21w T5 Lamps
 - 2LED9 – (2) 9w LED Modules. 2200 Lumens
 - 2LED14 – (2) 14w LED Modules. 3100 Lumens