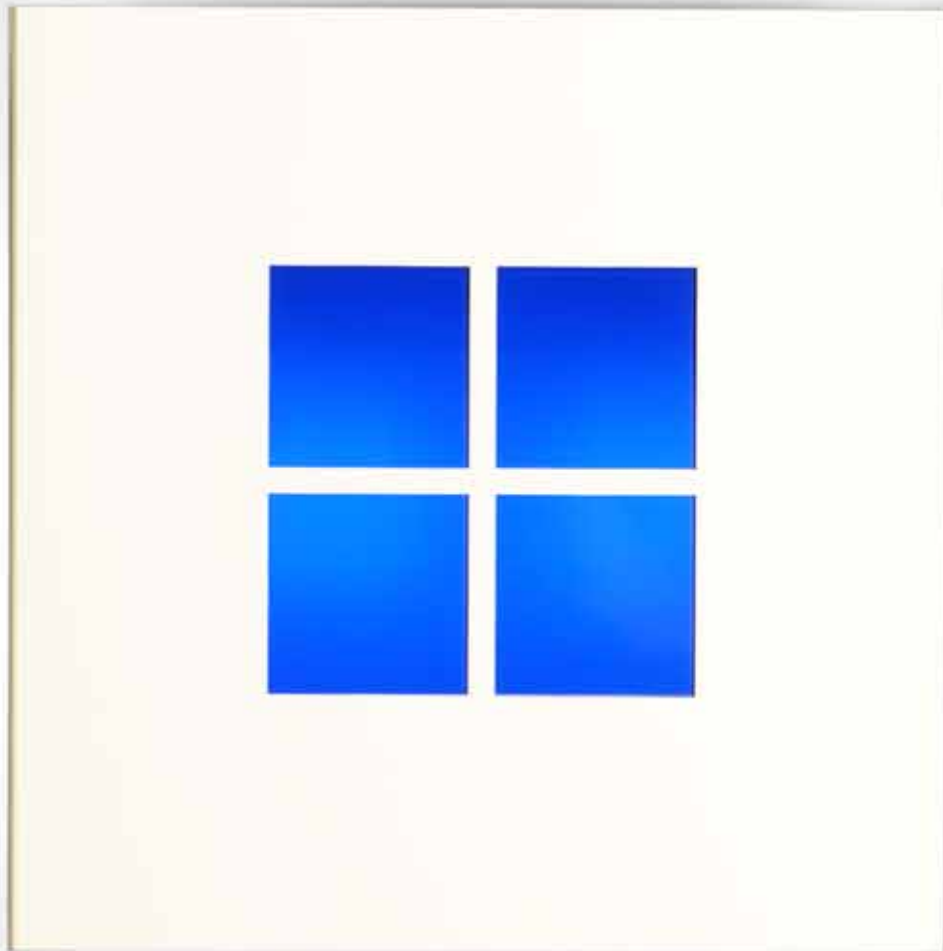


LED

# 425 WINDOW BOX



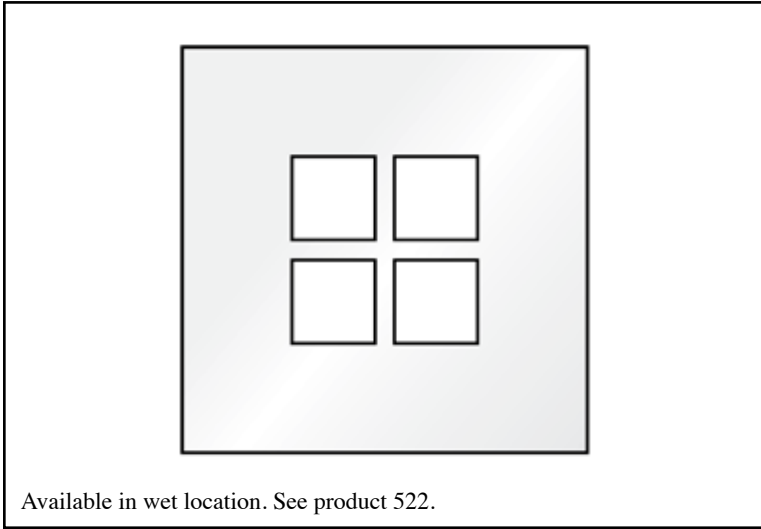
The window box is a decorative box which distributes light both up and down with a maximum amount of efficiency. Decorative windows are protected with frosted white acrylic which is mechanically attached to the fixture.

**Indessa**  
LIGHTING

# 425 WINDOW BOX

TYPE

LED



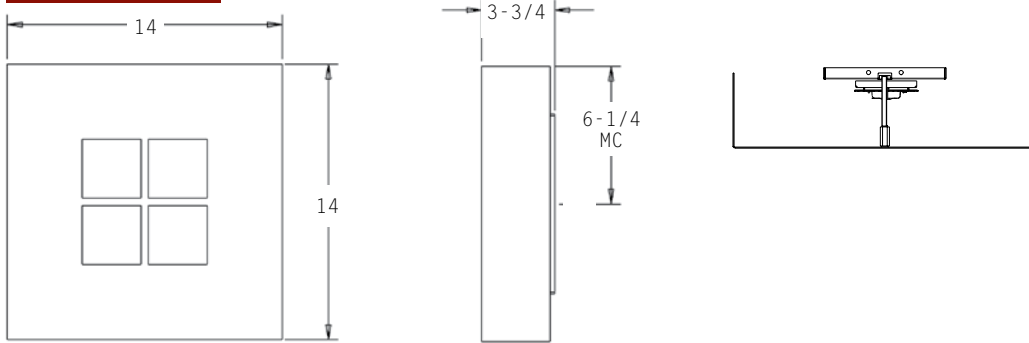
PROJECT: \_\_\_\_\_

LOCATION: \_\_\_\_\_

## FEATURES

- Classical box sconce for general applications.
- All acrylic is mechanically attached for a trouble free long life.
- Standard 0-10V dimming driver.
- All parts are treated with a five stage phosphate bonding process before being finished with a long lasting powder coat finish.
- Complies with ADA.
- No visible fasteners.
- Manufactured in the U.S.A.

## DIMENSIONS



MC = Mounting Center  
A 4" octagonal junction box should be used for installation.

## ORDERING INFORMATION / OPTIONS EXAMPLE: 425-1LED14-WHT

# 425

### MODEL

425 - Window Box

### LAMP

- 1LED9** – (1) 9W LED MODULE. 1100 Lumens
  - 1LED14** – (1) 14W LED MODULE. 1550 Lumens
  - 1LED19** – (1) 19W LED MODULE. 2000 Lumens
- Consult factory for other available lamps and LED Wattages.

### HOUSING FINISH

- WHT** - White
  - BLK** - Black
  - SAL** - Silver
  - BRZ** - Bronze
- Consult factory for other finishes.

### OPTIONS

- DL** - Damp Label
- LBlue** - Blue Lens
- LGreen** - Green Lens
- LRed** - Red Lens
- TL** - Top Lens
- BL** - Bottom Lens
- 30K** - 3000 Kelvin Temperature
- 35K** - 3500 Kelvin Temperature
- 40K** - 4000 Kelvin Temperature