

Available in LED

422 SCOOP

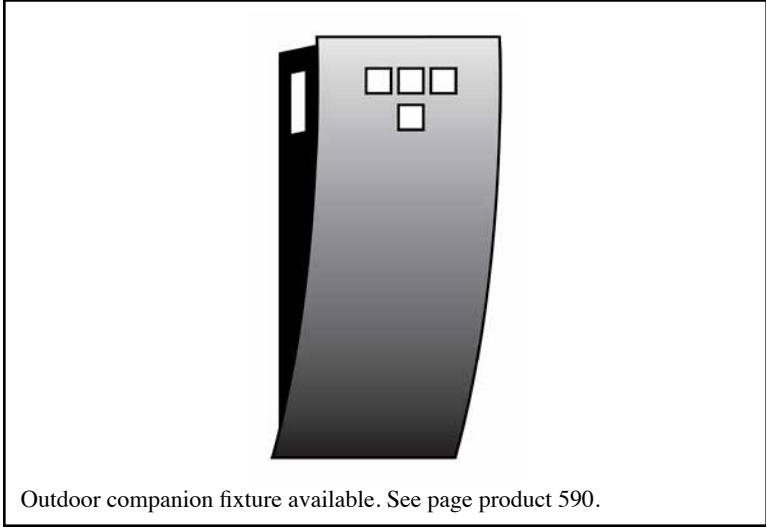


This modern looking fixture is sleek and stylish. Welded construction and gasketing ensure precise fit and finish. Decorative windows add flare to the fixture.

422 SCOOP

Available in LED

TYPE



Outdoor companion fixture available. See page product 590.

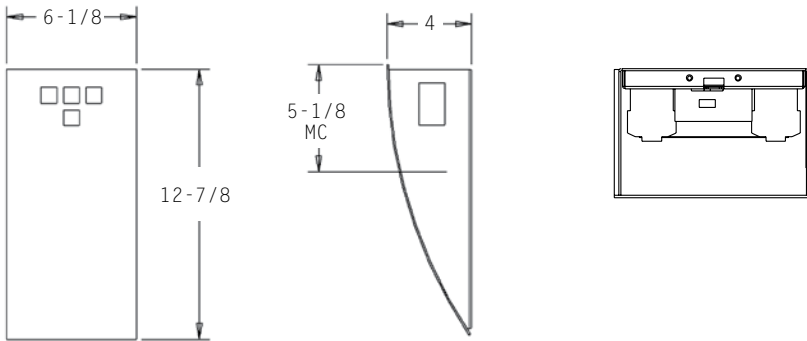
PROJECT: _____

LOCATION: _____

FEATURES

- An ideal luminaire for the modern office.
- A modern, aerodynamic luminaire.
- Housing parts are welded for optimal strength.
- Window pattern provides a visual source of the illumination.
- Electronic, multi-volt (120/277) ballast is standard.
- All parts are treated with a five stage phosphate bonding process before being finished with a long lasting powder coat finish.
- Complies with ADA.
- **Variations in window configuration are available.**
- No visible fasteners.
- Manufactured in the U.S.A.

DIMENSIONS



MC = Mounting Center
A 4" octagonal junction box should be used for installation.

ORDERING INFORMATION / OPTIONS EXAMPLE: 422-1CFQ32-BLK

422

MODEL

422 - Scoop

LAMP

- 1CFQ13 – (1) 13w QUAD TUBE CF (G24Q-1 Base)
 - 1CFQ18 – (1) 18w QUAD TUBE CF (G24Q-2 Base)
 - 1CFQ26 – (1) 26w QUAD TUBE CF (G24Q-3 Base)
 - 1CFT32 – (1) 32w TRIPLE TUBE CF (GX24Q-3 Base)
 - 1CFT42 – (1) 42w TRIPLE TUBE CF (GX24Q-3 Base)
 - 2CFQ13 – (2) 13w QUAD TUBE CF (G24Q-1 Base)
 - 2CFQ18 – (2) 18w QUAD TUBE CF (G24Q-2 Base)
 - 2CFQ26 – (2) 26w QUAD TUBE CF (G24Q-3 Base)
 - 1LED8 – (1) 8w LED MODULE, 530 Lumens
- Consult factory for other available lamps and LED Wattages.

HOUSING FINISH

- WHT - White
 - BLK - Black
 - SAL - Silver
 - BRZ - Bronze
- Consult factory for other finishes.

OPTIONS

- DL - Damp Label
- Lamp - Lamp provided, please specify color temperature
- CHWOOD - Unfinished Cherrywood Veneer Faceplate
- NMWOOD - Unfinished Natural Mahogany Veneer Faceplate
- WBWOOD - Unfinished White Birch Veneer Faceplate