

Available in LED

415 SQUARE CLASSIC

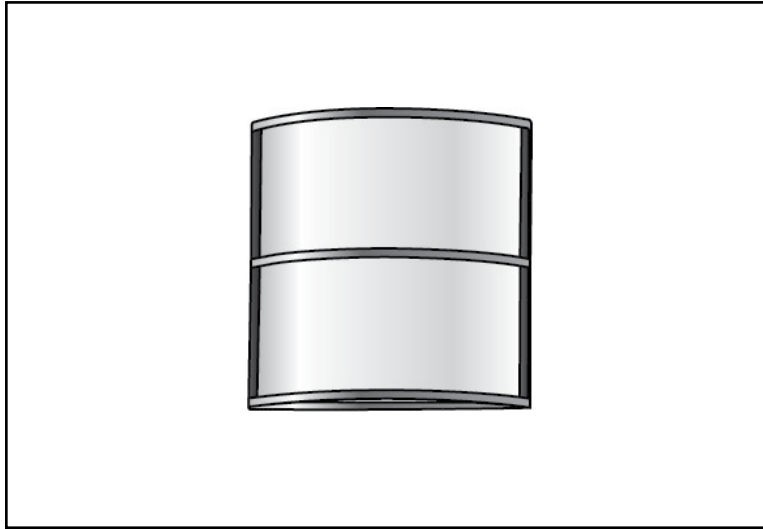


This unique shape in the timeless Classic series provides depth and dimension to an otherwise monotonous shape. Constructed of solid aluminum bar with an extruded textured lens, the fixture will provide years of trouble free operation.

415 SQUARE CLASSIC

Available in LED

TYPE



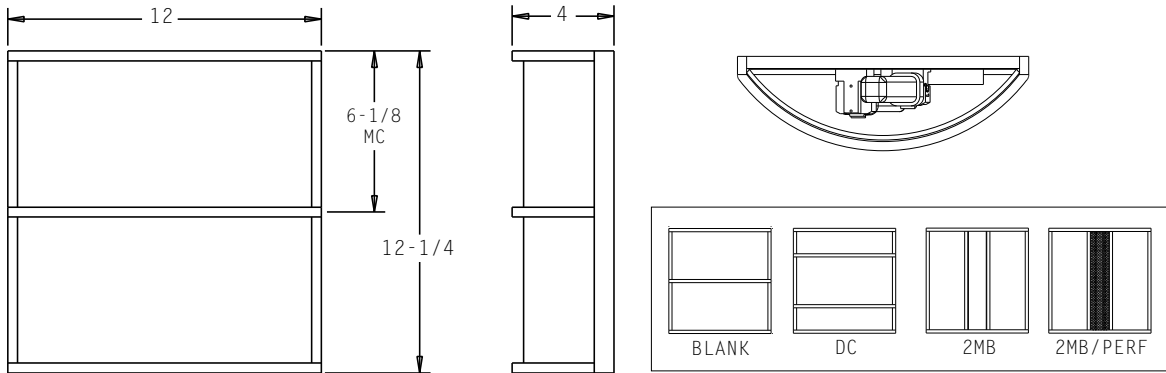
PROJECT: _____

LOCATION: _____

FEATURES

- Square shape is a distinct look from other traditional rectilinear bar stock fixtures.
- High performance and outstanding rigidity makes this fixture ideal for hallways or other high traffic areas.
- Etched lens softens the lamp brightness for excellent lamp uniformity.
- A variety of lamp options available for varying illumination requirements.
- Electronic multi-volt (120 to 277V) ballast is standard.
- Meets all ADA requirements.
- Manufactured in the U.S.A.

DIMENSIONS



MC = Mounting Center

A 4" octagonal junction box should be used for installation.

ORDERING INFORMATION / OPTIONS

EXAMPLE: 415-2CFQ26-SAL-DC

415

MODEL

415 - Square Classic

LAMP

2CFQ13 - (2) 13w QUAD TUBE CF (G24Q-1 Base)
 2CFQ18 - (2) 18w QUAD TUBE CF (G24Q-2 Base)
 2CFQ26 - (2) 26w QUAD TUBE CF (G24Q-3 Base)
 1CFT32 - (1) 32w TRIPLE TUBE CF (GX24Q-3 Base)
 1CFT42 - (1) 42w QUAD TUBE CF (GX24Q-3 Base)
 1LED9 - (1) 9W LED MODULE. 1100 Lumens
 1LED14 - (1) 14W LED MODULE. 1550 Lumens
 1LED17 - (1) 17W LED MODULE. 1875 Lumens
 1LED19 - (1) 19W LED MODULE. 2200 Lumens
 Consult factory for other available lamps and LED Wattages.

HOUSING FINISH

WHT - White
 BLK - Black
 SAL - Silver
 BRZ - Bronze
 Consult factory for other finishes.

OPTIONS

TL - Top Lens
 BL - Bottom Lens
 DL - Damp Label
 Lamp - Lamp provided, please specify color temperature.
 WET - Wet Location Fixture

BAR CONFIGURATION

Blank - Single Horizontal Bar
 DC - Double Cross Bar
 2MB - Two Middle Bars
 2MB/PERF - Two Middle Bars with Perf Center
 Consult factory for other available configurations.